

# IE2

SERIES THREE-PHASE INDUCTION MOTOR



## PRODUCT INTRODUCTION

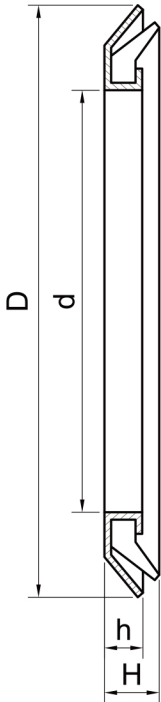
SUNVIM IE2 electric motors are manufactured according to international standard IEC60034-30-1:2014, and are totally enclosed fan cooled squirrel cage motors with new material, new process and new standard. They are widely used to drive various general equipments, like fans, pumps, machining tools, compressors, and transport machineries. The motors can also work safely and stably in industry field of petroleum, chemical, steel, mining and other places where there is with heavy load and harsh operating environment. All IE2 motors are provided with protection grade IP55, insulation grade F. SUNVIM IE2 motors are with high efficiency and low temperature rise which insures a high reliability.

## SPECIFICATION

Standard: IEC60034-30-1  
Frame size: H80-355mm  
Rated power: 0.718kW-315kW  
Degrees or energy efficiency: IE2  
Voltage and frequency: 400V/ 50Hz  
Degrees of protections: IP55  
Degrees of insulation/Temperature rise: F/B  
Installation Method: B3\ B5\B35\V1  
Ambient temperature: -15°C~+40°C  
Relative humidity should be less than 90%  
Altitude should be lower than 1000 m above sea level  
Cooling Method: IC411、IC416、IC418、IC410

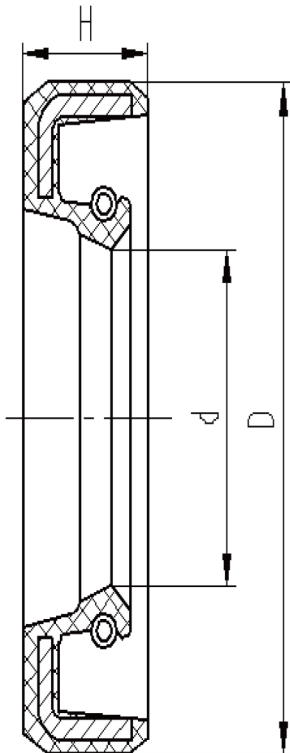
SUNVIM

Oil Sealing



Frame	Type	d	D	h	H
80	RB20*35*4.0	Ø20	Ø35	3	6
90	RB25*40*4.0	Ø25	Ø40	3	6
100	RB30*47*4.5	Ø30	Ø47	3.5	6
112	RB30*47*4.5	Ø30	Ø47	3.5	6
132	RB40*57*4.5	Ø40	Ø57	3.5	6.5
160	RB45*62*4.5	Ø45	Ø62	3.5	6.5
180	RB55*75*5.5	Ø55	Ø75	4.5	6.5
200	RB60*80*5.5	Ø60	Ø80	4.5	6.5
225	RB65*85*5.5	Ø65	Ø85	4.5	8
250	RB70*90*5.5	Ø70	Ø90	4.5	8
280-2	RB70*90*5.5	Ø70	Ø90	4.5	8
280-4	RB85*105*5.5	Ø85	Ø105	4.5	8
315-2	RB80*100*5.5	Ø80	Ø100	4.5	8
315-4	RB95*115*5.5	Ø95	Ø115	4.5	8
355-2	RB95*115*5.5	Ø95	Ø115	4.5	8
355-4	RB110*130*5.5	Ø110-	Ø130	4.5	8

Oil Sealing



Frame	Type	d	D	H
80	(F)B20X42X5	Ø20	Ø42	5
90	(F)B25X47X5	Ø25	Ø47	5
100	(F)B30X52X7	Ø30	Ø52	7
112	(F)B30X52X7	Ø30	Ø52	7
132	(F)B40X62X5	Ø40	Ø62	5
160	(F)B45X70X8	Ø45	Ø70	8
180	(F)B55X80X8	Ø55	Ø80	8
200	(F)B60X85X8	Ø60	Ø85	8
225	(F)B65X90X10	Ø65	Ø90	10
250	(F)B70X95X10	Ø70	Ø95	10
280-2	(F)B70X95X10	Ø70	Ø95	10
280-4.6.8	(F)B85X110X12	Ø85	Ø110	12
*315-2	(F)B80X105X10	Ø80	Ø105	10
315-4.6.8	(F)B95X120X12	Ø95	Ø120	12
355-2	(F)B95X120X12	Ø95	Ø120	12
355-4.6.8	(F)B110X140X12	Ø110	Ø140	12
355L3-4P , L2-6P	(F)B120X150X12	Ø120	Ø150	12

## 2-pole, 3000r/min synchronous speed

Motor Type	Rated Power kW	Rated Speed r/min	Rated Current 380V A	Rated Current 400V A	Rated Current 415V A	Rated Eff. $\eta$ %	Power Factor $\cos\phi$	Rated Torque Nm	$\frac{I_{st}}{I_n}$	$\frac{T_{st}}{T_n}$	$\frac{T_{max}}{T_n}$	$\frac{T_{min}}{T_n}$	LW dB(A) no load	LW dB(A) load	Net Weight kg
IE2-80M1-2	0.75	2830	1.8	1.7	1.6	77.4	0.82	2.5	6.8	2.3	2.3	1.5	62	64	18
IE2-80M2-2	1.1	2830	2.5	2.4	2.3	79.6	0.83	3.7	7.1	2.3	2.3	1.5	62	64	19
IE2-90S-2	1.5	2840	3.3	3.1	3	81.3	0.84	5	7.3	2.3	2.3	1.5	67	69	24
IE2-90L-2	2.2	2840	4.7	4.5	4.3	83.2	0.85	7.4	7.6	2.3	2.3	1.4	67	69	28
IE2-100L-2	3	2870	6.2	5.9	5.7	84.6	0.87	10	7.8	2.2	2.3	1.4	74	76	36
IE2-112M-2	4	2890	8	7.6	7.3	85.8	0.88	13.2	8.1	2.2	2.3	1.4	77	79	42
IE2-132S1-2	5.5	2900	10.9	10.4	10	87	0.88	18.1	8.2	2.2	2.3	1.2	79	81	62
IE2-132S2-2	7.5	2900	14.5	13.8	13.3	88.1	0.89	24.7	7.8	2.2	2.3	1.2	79	81	66
IE2-160M1-2	11	2930	21	20	19.2	89.4	0.89	35.9	7.9	2.2	2.3	1.2	81	83	115
IE2-160M2-2	15	2930	28.4	27	26	90.3	0.89	48.9	7.9	2.2	2.3	1.2	81	83	123
IE2-160L-2	18.5	2930	34.7	33	31.8	90.9	0.89	60.3	8	2.2	2.3	1.1	81	83	141
IE2-180M-2	22	2940	41.1	39	37.6	91.3	0.89	71.5	8.1	2.2	2.3	1.1	83	85	180
IE2-200L1-2	30	2950	55.7	52.9	51	92	0.89	97.2	7.5	2	2.3	1.1	84	86	240
IE2-200L2-2	37	2950	68.3	64.9	62.5	92.5	0.89	120	7.5	2	2.3	1.1	84	86	260
IE2-225M-2	45	2970	82.7	78.6	75.7	92.9	0.89	145	7.5	2.2	2.3	1	86	88	301
IE2-250M-2	55	2970	101	96	92.5	93.2	0.89	177	7.6	2.2	2.3	1	89	91	399
IE2-280S-2	75	2970	137	130	125	93.8	0.89	241	6.9	1.8	2.3	0.9	91	93	530
IE2-280M-2	90	2970	163	155	149	94.1	0.89	290	6.9	1.8	2.3	0.9	91	93	580
IE2-315S-2	110	2980	197	187	180	94.3	0.9	353	7	1.8	2.2	0.9	92	94	830
IE2-315M-2	132	2980	236	224	216	94.6	0.9	423	7	1.8	2.2	0.9	92	94	930
IE2-315L1-2	160	2980	282	268	258	94.8	0.91	513	7.1	1.8	2.2	0.9	92	94	980
IE2-315L-2	185	2980	326	310	298	94.8	0.91	593	7.1	1.8	2.2	0.9	92	94	1065
IE2-315L2-2	200	2980	352	334	322	95	0.91	641	7.1	1.8	2.2	0.8	92	94	1150
IE2-315M1-2	220	2980	387	367	354	95	0.91	705	7.1	1.6	2.2	0.8	92	94	1530
IE2-355M2-2	250	2980	439	417	402	95	0.91	802	7.1	1.6	2.2	0.8	100	102	1640
IE2-355L-2	280	2980	492	468	451	95	0.91	897	7.1	1.6	2.2	0.8	100	102	1780
IE2-355L1-2	315	2980	554	526	507	95	0.91	1010	7.2	1.6	2.2	0.8	100	102	1850
IE2-355L2-2	355	2980	624	593	571	95	0.91	1138	7.2	1.6	2.2	0.8	104	106	2300
IE2-355L3-2	375	2980	659	626	603	95	0.91	1202	7.2	1.6	2.2	0.7	104	106	2350

### 4-pole, 1500 synchronous speed

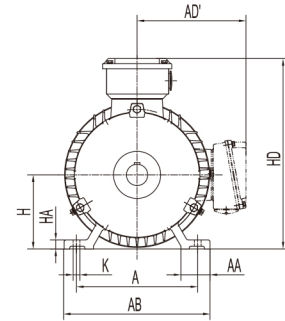
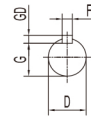
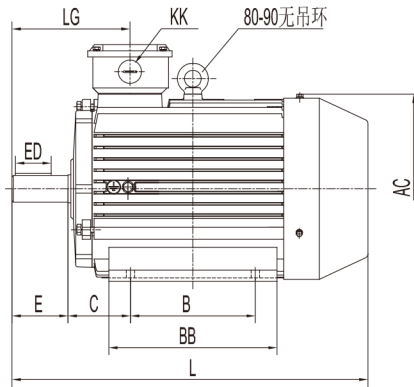
Motor Type	Rated Power kW	Rated Speed r/min	Rated Current 380V A	Rated Current 400V A	Rated Current 415V A	Rated Eff. $\eta$ %	Power Factor $\cos\phi$	Rated Torque Nm	$I_{st}/I_n$	$T_{st}/T_n$	$T_{max}/T_n$	$T_{min}/T_n$	LW dB(A) no load	LW dB(A) load	Net Weight kg
IE2-802-4	0.75	1390	1.9	1.8	1.7	79.6	0.76	5.2	6.4	2.3	2.3	1.6	56	61	20
IE2-90S-4	1.1	1400	2.7	2.6	2.5	81.4	0.77	7.5	6.6	2.3	2.3	1.6	59	64	23
IE2-90L-4	1.5	1400	3.5	3.3	3.2	82.8	0.78	10.2	6.7	2.3	2.3	1.6	59	64	27
IE2-100L1-4	2.2	1430	5	4.8	4.6	84.3	0.8	14.7	7.3	2.3	2.3	1.5	64	69	36
IE2-100L2-4	3	1430	6.6	6.3	6	85.5	0.81	20	7.5	2.3	2.3	1.5	64	69	42
IE2-112M-4	4	1440	8.7	8.3	8	86.6	0.81	26.5	7.5	2.3	2.3	1.5	65	70	47
IE2-132S-4	5.5	1440	11.6	11	10.6	87.7	0.82	36.5	7.5	2	2.3	1.4	71	76	68
IE2-132M-4	7.5	1440	15.5	14.7	14.2	88.7	0.83	49.8	7.3	2	2.3	1.4	71	76	78
IE2-160M-4	11	1460	22.5	21.4	20.6	89.8	0.83	72	7.4	2	2.3	1.4	73	78	120
IE2-160L-4	15	1460	29.9	28.4	27.4	90.6	0.84	98.2	7.5	2	2.3	1.4	73	78	140
IE2-180M-4	18.5	1470	36.3	34.5	33.2	91.2	0.85	120	7.6	2	2.3	1.2	76	80	180
IE2-180L-4	22	1470	42.9	40.8	39.3	91.6	0.85	143	7.7	2.1	2.3	1.2	76	80	190
IE2-200L-4	30	1470	58.1	55.2	53.2	92.3	0.85	195	7.1	2.1	2.3	1.2	76	80	250
IE2-225S-4	37	1480	70.5	67	64.6	92.7	0.86	239	7.3	2.1	2.3	1.2	78	81	300
IE2-225M-4	45	1480	85.4	81.1	78.2	93.1	0.86	290	7.3	2.2	2.3	1.1	78	81	327
IE2-250M-4	55	1480	104	98.8	95.2	93.5	0.86	355	7.3	2.2	2.3	1.1	79	82	410
IE2-280S-4	75	1480	139	132	127	94	0.87	484	6.8	2.2	2.3	1	80	83	560
IE2-280M-4	90	1490	165	157	151	94.2	0.88	577	6.9	2.2	2.3	1	80	83	620
IE2-315S-4	110	1490	199	189	182	94.5	0.89	705	6.9	2.1	2.2	1	88	91	860
IE2-315M-4	132	1490	238	226	218	94.7	0.89	846	6.9	2.1	2.2	1	88	91	970
IE2-315L1-4	160	1490	285	271	261	94.9	0.9	1026	6.9	2.1	2.2	1	88	91	1047
IE2-315L-4	185	1490	329	313	301	94.9	0.9	1186	6.9	2.1	2.2	1	88	91	1100
IE2-315L2-4	200	1490	355	337	325	95.1	0.9	1282	6.9	2.1	2.2	0.9	88	91	1200
IE2-355M1-4	220	1490	391	371	358	95.1	0.9	1410	6.9	2	2.2	0.9	95	97	1575
IE2-355M-4	250	1490	444	422	407	95.1	0.9	1603	6.9	2	2.2	0.9	95	97	1665
IE2-355L-4	280	1490	497	472	455	95.1	0.9	1795	6.9	2	2.2	0.9	95	97	1720
IE2-355L1-4	315	1490	559	531	512	95.1	0.9	2020	6.9	2	2.2	0.8	95	97	1815
IE2-355L2-4	355	1490	637	605	583	95.1	0.89	2276	6.5	1.7	2.2	0.8	102	104	1950
IE2-355L3-4	375	1490	681	647	624	95.1	0.88	2405	6.5	1.7	2.2	0.8	102	104	2350

6 -pole, 1000 synchronous speed

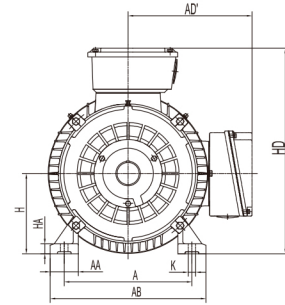
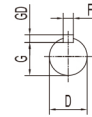
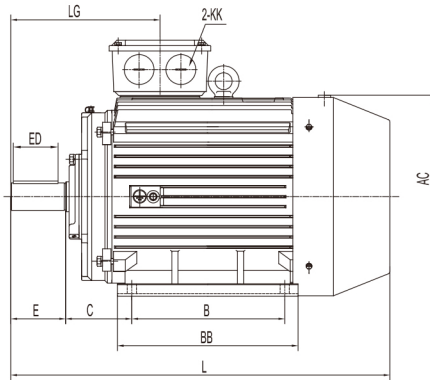
Motor Type	Rated Power kW	Rated Speed r/min	Rated Current 380V A	Rated Current 400V A	Rated Current 415V A	Rated Eff. $\eta$ %	Power Factor $\cos\phi$	Rated Torque Nm	$I_{st}/I_n$	$T_{st}/T_n$	$T_{max}/T_n$	$T_{min}/T_n$	LW dB(A) no load	LW dB(A) load	Net Weight kg
IE2-90S-6	0.75	910	2.1	2	1.9	75.9	0.71	7.9	5.8	2.0	2.1	1.5	57	64	24
IE2-90L-6	1.1	910	3.0	2.9	2.7	78.1	0.72	11.5	5.9	2.0	2.1	1.3	57	64	28
IE2-100L-6	1.5	940	4.0	3.8	3.7	79.8	0.72	15.2	5.9	2.0	2.1	1.3	61	68	36
IE2-112M-6	2.2	940	5.7	5.4	5.2	81.8	0.72	22.4	6.2	2.0	2.1	1.3	65	72	42
IE2-132S-6	3	960	7.6	7.2	7	83.3	0.72	29.9	6.4	2.0	2.1	1.3	69	76	58
IE2-132M1-6	4	960	9.7	9.2	8.9	84.6	0.74	39.8	6.6	2.0	2.1	1.3	69	76	70
IE2-132M2-6	5.5	960	13.0	12.4	11.9	86.0	0.75	54.7	6.8	2.0	2.1	1.3	69	76	74
IE2-160M-6	7.5	970	16.8	16	15.4	87.2	0.78	73.9	6.8	2.0	2.1	1.3	73	80	115
IE2-160L-6	11	970	23.9	22.7	21.9	88.7	0.79	108	6.9	2.0	2.1	1.2	73	80	131
IE2-180L-6	15	970	31.0	29.5	28.4	89.7	0.82	148	7.3	2.0	2.1	1.2	73	79	175
IE2-200L1-6	18.5	970	38.9	37	35.6	90.4	0.80	182	7.2	2.0	2.1	1.2	73	79	230
IE2-200L2-6	22	970	45.4	43.1	41.6	90.9	0.81	217	7.3	2.0	2.1	1.2	73	79	245
IE2-225M-6	30	980	60.6	57.6	55.5	91.7	0.82	292	6.8	2.0	2.1	1.2	74	80	306
IE2-250M-6	37	980	73.5	69.8	67.3	92.2	0.83	361	7.0	2.0	2.1	1.2	76	82	394
IE2-280S-6	45	980	86.8	82.5	79.5	92.7	0.85	439	7.2	2.0	2.0	1.1	78	84	511
IE2-280M-6	55	980	104	98.8	95.2	93.1	0.86	536	7.2	2.0	2.0	1.1	78	84	570
IE2-315S-6	75	990	145	138	133	93.7	0.84	724	6.5	2.0	2.0	1.0	83	88	765
IE2-315M-6	90	990	171	162	157	94.0	0.85	869	6.6	2.0	2.0	1.0	83	88	900
IE2-315L1-6	110	990	209	199	191	94.3	0.85	1062	6.6	2.0	2.0	1.0	83	88	970
IE2-315L2-6	132	990	247	235	226	94.6	0.86	1274	6.6	2.0	2.0	1.0	83	88	1050
IE2-355M1-6	160	990	298	283	273	94.8	0.86	1544	6.7	2.0	2.0	1.0	85	89	1565
IE2-355M-6	185	990	345	328	316	94.8	0.86	1785	6.7	2.0	2.0	1.0	85	89	1655
IE2-355M2-6	200	990	372	353	341	95.0	0.86	1930	6.8	2.0	2.0	0.9	85	89	1740
IE2-355L-6	220	990	409	389	375	95.0	0.86	2122	6.8	2.0	2.0	0.9	85	89	1805
IE2-355L1-6	250	990	465	442	426	95.0	0.86	2413	6.8	2.0	2.0	0.9	85	89	1921
IE2-355L-6	280	990	521	495	477	95.0	0.86	2701	6.8	2.0	2.0	0.9	85	89	2040
IE2-355L2-6	315	990	586	557	537	95.0	0.86	3040	6.8	2.0	2.0	0.8	91	95	2400

**DIMENSIONS MOUNT B3**

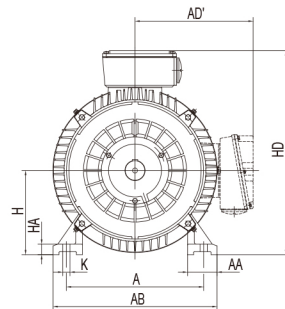
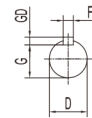
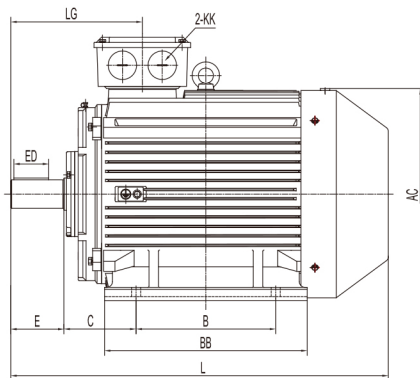
**IE2-80-132**



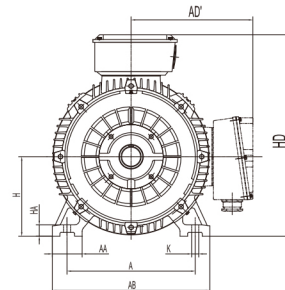
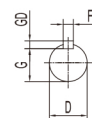
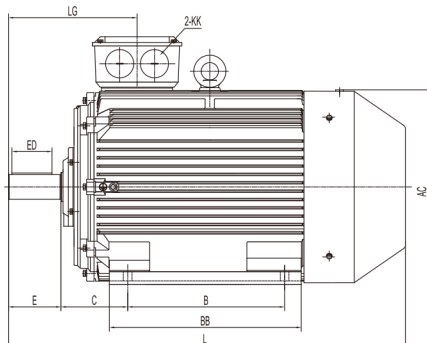
**IE2-160-200**



**IE2-225-280**



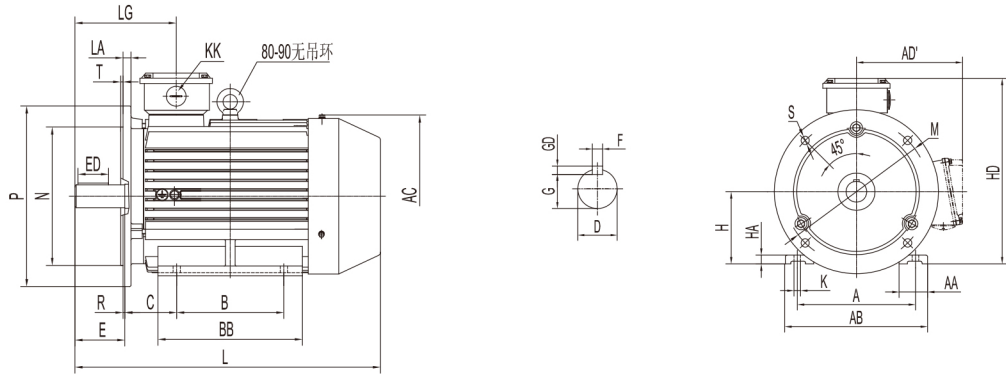
**IE2-315-355**



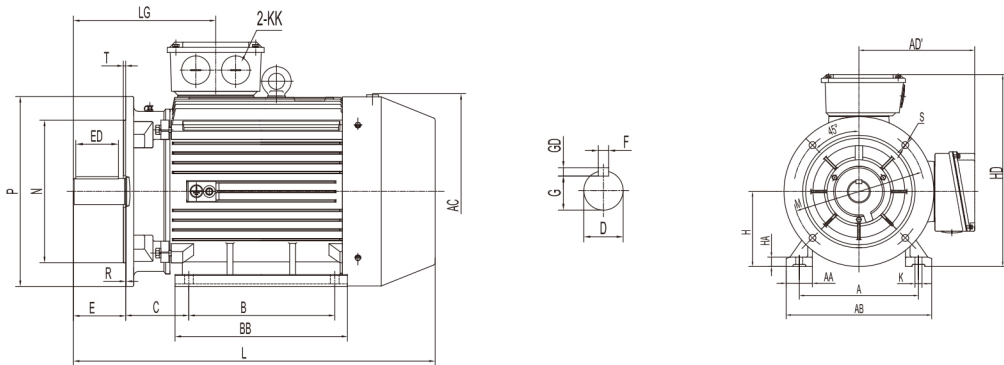
Frame	A	AA	AB	AC	AD'	B	BB	C	D	E	ED	F	G	GD	H	HA	HD	K	KK	L	LG
80	125	34	160	180	160	100	142	50	19	40	22	6	15.5	6	80	10	240	10	M25X1.5	305	112
90S	140	36	180	210	170	100	180	56	24	50	32	8	20	7	90	12.5	260	10	M25X1.5	340	132
90L	140	36	180	210	170	125	210	56	24	50	32	8	20	7	90	12.5	260	10	M25X1.5	365	132
100L	160	40	200	220	185	140	233	63	28	60	40	8	24	7	100	14	285	12	M25X1.5	403	153
112M	190	45	230	236	205	140	252	70	28	60	40	8	24	7	112	14	315	12	M32X1.5	410	144
132S	216	52	265	275	225	140	220	89	38	80	56	10	33	8	132	16	355	12	M32X1.5	485	167
132M	216	52	265	275	225	178	258	89	38	80	56	10	33	8	132	16	355	12	M32X1.5	525	167
160M	254	65	320	330	265	210	325	108	42	110	80	12	37	8	160	19	425	14.5	M40X1.5	605	268
160L	254	65	320	330	265	254	325	108	42	110	80	12	37	8	160	19	425	14.5	M40X1.5	665	268
180M	279	70	350	380	285	241	325	121	48	110	80	14	42.5	9	180	22	465	14.5	M40X1.5	730	277
180L	279	70	350	380	285	279	335	121	48	110	80	14	42.5	9	180	22	465	14.5	M40X1.5	730	277
200L	318	80	390	420	310	305	355	133	55	110	80	16	49	10	200	25	510	18.5	M50X1.5	790	298
225S(4-6P)	356	75	435	465	335	286	350	149	60	140	100	18	53	11	225	28	560	18.5	M50X1.5	840	338
225M(2P)	356	75	435	465	335	311	375	149	55	110	80	16	49	10	225	28	560	18.5	M50X1.5	865	338
225M(4-6P)	356	75	435	465	335	311	375	149	60	140	100	18	53	11	225	28	560	18.5	M50X1.5	865	338
250M(2P)	406	100	485	520	385	349	450	168	60	140	100	18	53	11	250	33	635	24	M63X1.5	945	360
250M(4-6P)	406	100	485	520	385	349	450	168	65	140	100	18	58	11	250	33	635	24	M63X1.5	945	360
280S(2P)	457	105	550	570	415	368	490	190	65	140	100	18	58	11	280	35	695	24	M63X1.5	990	344
280S(4-6P)	457	105	550	570	415	368	490	190	75	140	100	20	67.5	12	280	35	695	24	M63X1.5	990	344
280M(2P)	457	105	550	570	415	419	540	190	65	140	100	18	58	11	280	35	695	24	M63X1.5	1045	344
280M(4-6P)	457	105	550	570	415	419	540	190	75	140	100	20	67.5	12	280	35	695	24	M63X1.5	1045	344
315S(2P)	508	125	630	650	490	406	515	216	65	140	100	18	58	11	315	45	805	28	M63X1.5	1185	417
315M(2P)	508	125	630	650	490	457	625	216	65	140	100	18	58	11	315	45	805	28	M63X1.5	1295	417
315L(2P)	508	125	630	650	490	508	625	216	65	140	100	18	58	11	315	45	805	28	M63X1.5	1295	417
315S(4-6P)	508	125	630	650	490	406	515	216	80	170	130	22	71	14	315	45	805	28	M63X1.5	1215	417
315M(4-6P)	508	125	630	650	490	457	625	216	80	170	130	22	71	14	315	45	805	28	M63X1.5	1325	417
315L(4-6P)	508	125	630	650	490	508	625	216	80	170	130	22	71	14	315	45	805	28	M63X1.5	1325	417
355M(2P)	610	125	735	735	645	560	850	254	75	140	110	20	67.5	12	355	49	1000	28	M63X1.5	1600	420
355L1(2P)	610	125	735	735	645	630	850	254	75	140	110	20	67.5	12	355	49	1000	28	M63X1.5	1600	420
355L2,3(2P)	630	135	760	800	770	800	1140	224	80	170	130	22	71	14	355	52	1000	35	M63X1.5	1870	472
355M(4-6P)	610	125	735	735	645	560	850	254	95	170	140	25	86	14	355	49	1000	28	M63X1.5	1630	450
355L1(4-6P)	610	125	735	735	645	630	850	254	95	170	140	25	86	14	355	49	1000	28	M63X1.5	1630	450
355L2,3(4-6P)	630	135	760	800	770	800	1140	224	110	210	180	28	100	16	355	52	1000	35	M63X1.5	1940	512

**DIMENSIONS MOUNT B35**

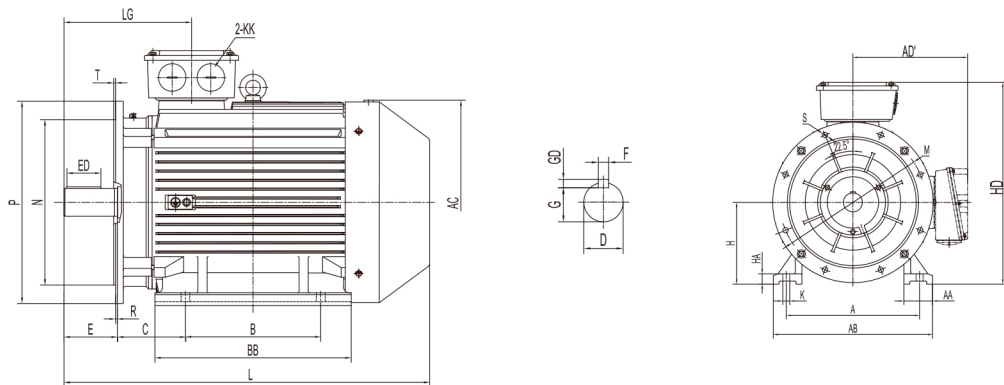
**IE2-80-132**



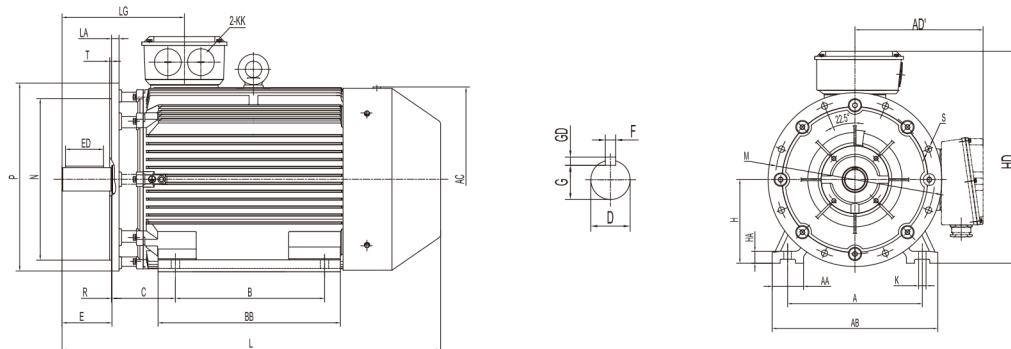
**IE2-160-200**



**IE2-225-280**



**IE2-315-355**



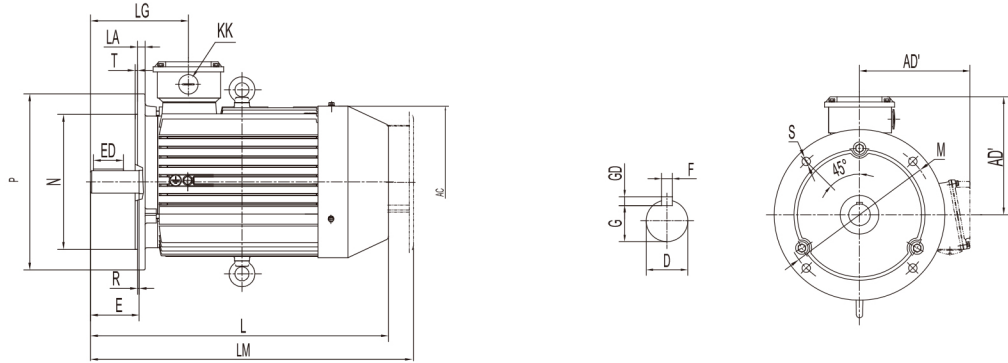


Frame	A	AA	AB	AC	AD'	B	BB	C	D	E	ED	F	G	GD	H	HA	HD	K	L	LA	LG	M	N	P	S	T	KK
80	125	34	160	180	160	100	142	50	19	40	22	6	15.5	6	80	10	240	10	305	14	112	165	130	200	12	3.5	M25X1.5
90S	140	36	180	210	170	100	180	56	24	50	32	8	20	7	90	13	260	10	340	12	132	165	130	200	12	3.5	M25X1.5
90L	140	36	180	210	170	125	210	56	24	50	32	8	20	7	90	13	260	10	365	12	132	165	130	200	12	3.5	M25X1.5
100L	160	40	200	220	185	140	233	63	28	60	40	8	24	7	100	14	285	12	403	14	153	215	180	250	14.5	4	M25X1.5
112M	190	45	230	236	205	140	252	70	28	60	40	8	24	7	112	14	315	12	410	12	144	215	180	250	14.5	4	M32X1.5
132S	216	52	265	275	225	140	220	89	38	80	56	10	33	8	132	16	355	12	485	13	167	265	230	300	14.5	4	M32X1.5
132M	216	52	265	275	225	178	258	89	38	80	56	10	33	8	132	16	355	12	525	13	167	265	230	300	14.5	4	M32X1.5
160M	254	65	320	330	265	210	325	108	42	110	80	12	37	8	160	19	425	14.5	665	15	268	300	250	350	18.5	5	M40X1.5
160L	254	65	320	330	265	254	325	108	42	110	80	12	37	8	160	19	425	14.5	665	15	268	300	250	350	18.5	5	M40X1.5
180M	279	70	350	380	285	241	335	121	48	110	80	14	42.5	9	180	22	465	14.5	730	15	277	300	250	350	18.5	5	M40X1.5
180L	279	70	350	380	285	279	335	121	48	110	80	14	42.5	9	180	22	465	14.5	730	15	277	300	250	350	18.5	5	M40X1.5
200L	318	80	390	420	310	305	355	133	55	110	80	16	49	10	200	25	510	18.5	780	17	298	350	300	400	18.5	5	M50X1.5
225S(4-6P)	356	75	435	465	335	286	350	149	60	140	100	18	53	11	225	28	560	18.5	840	19	338	400	350	450	18.5	5	M50X1.5
225M(2P)	356	75	435	465	335	311	375	149	55	110	80	16	49	10	225	28	560	18.5	865	19	338	400	350	450	18.5	5	M50X1.5
225M(4-6P)	356	75	435	465	335	311	375	149	60	140	100	18	53	11	225	28	560	18.5	865	19	338	400	350	450	18.5	5	M50X1.5
250M(2P)	406	100	485	520	385	349	450	168	60	140	100	18	53	11	250	33	635	24	945	20	360	500	450	550	18.5	5	M63X1.5
250M(4-6P)	406	100	485	520	385	349	450	168	65	140	100	18	58	11	250	33	635	24	945	20	360	500	450	550	18.5	5	M63X1.5
280S(2P)	457	105	550	570	415	368	490	190	65	140	100	18	58	11	280	35	695	24	990	22	344	500	450	550	18.5	5	M63X1.5
280S(4-6P)	457	105	550	570	415	368	490	190	75	140	100	20	67.5	12	280	35	695	24	990	22	344	500	450	550	18.5	5	M63X1.5
280M(2P)	457	105	550	570	415	419	540	190	65	140	100	18	58	11	280	35	695	24	1045	22	344	500	450	550	18.5	5	M63X1.5
280M(4-6P)	457	105	550	570	415	419	540	190	75	140	100	20	67.5	12	280	35	695	24	1045	22	344	500	450	550	18.5	5	M63X1.5
315S(2P)	508	125	630	650	490	406	515	216	65	140	100	18	58	11	315	45	805	28	1185	24	417	600	550	660	24	6	M63X1.5
315M(2P)	508	125	630	650	490	457	625	216	65	140	100	18	58	11	315	45	805	28	1295	24	417	600	550	660	24	6	M63X1.5
315L(2P)	508	125	630	650	490	508	625	216	65	140	100	18	58	11	315	45	805	28	1295	24	417	600	550	660	24	6	M63X1.5
315S(4-6P)	508	125	630	650	490	406	515	216	80	170	130	22	71	14	315	45	805	28	1215	24	417	600	550	660	24	6	M63X1.5
315M(4-6P)	508	125	630	650	490	457	625	216	80	170	130	22	71	14	315	45	805	28	1325	24	417	600	550	660	24	6	M63X1.5
315L(4-6P)	508	125	630	650	490	508	625	216	80	170	130	22	71	14	315	45	805	28	1325	24	417	600	550	660	24	6	M63X1.5
355M(2P)	610	125	735	735	645	560	850	254	75	140	110	20	67.5	12	355	49	1000	28	1600	25	420	740	680	800	24	6	M63X1.5
355L1(2P)	610	125	735	735	645	630	850	254	75	140	110	20	67.5	12	355	49	1000	28	1600	25	420	740	680	800	24	6	M63X1.5
355L1(2P)	630	135	760	800	770	800	1140	224	80	170	130	22	71	14	355	52	1000	35	1870	25	472	840	780	900	24	6	M63X1.5
355M(4-6P)	610	125	735	735	645	560	850	254	95	170	140	25	86	14	355	49	1000	28	1630	25	450	740	680	800	24	6	M63X1.5
355L1(4-6P)	610	125	735	735	645	630	850	254	95	170	140	25	86	14	355	49	1000	28	1630	25	450	740	680	800	24	6	M63X1.5
355L2,3(4-6P)	630	135	760	800	770	800	1140	224	110	210	180	28	100	16	355	50	1000	35	1945	25	512	840	780	900	24	6	M63X1.5

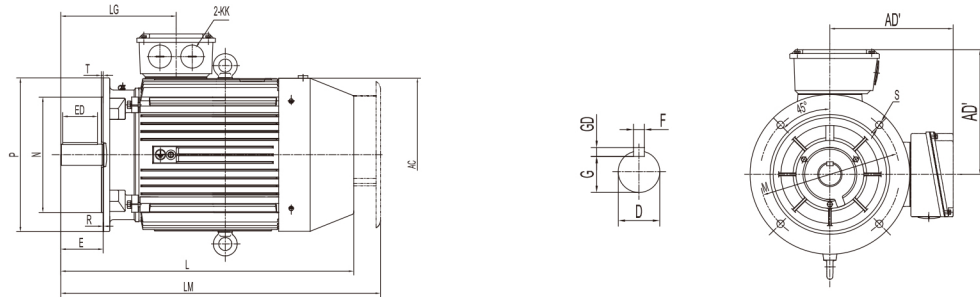
Note : R=0

**DIMENSIONS MOUNT B5 & V1**

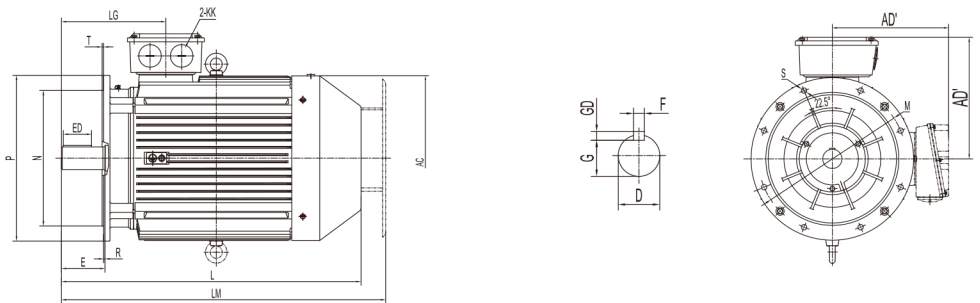
**IE2-80-132**



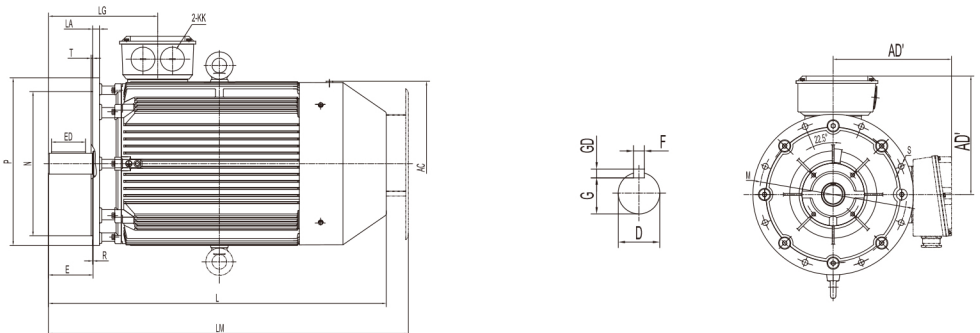
**IE2-160-200**



**IE2-225-280**



**IE2-315-355**



Frame	AC	AD'	D	E	ED	F	G	GD	L	LA	LG	LM	M	N	P	S	T	KK
80	180	160	19	40	22	6	15.5	6	305	14	112	345	165	130	200	12	3.5	M25X1.5
90S	210	170	24	50	32	8	20	7	340	12	132	380	165	130	200	12	3.5	M25X1.5
90L	210	170	24	50	32	8	20	7	365	12	132	405	165	130	200	12	3.5	M25X1.5
100L	220	185	28	60	40	8	24	7	403	14	153	450	215	180	250	14.5	4	M25X1.5
112M	240	205	28	60	40	8	24	7	410	12	144	460	215	180	250	14.5	4	M32X1.5
132S	275	225	38	80	56	10	33	8	485	13	167	535	265	230	300	14.5	4	M32X1.5
132M	275	225	38	80	56	10	33	8	525	13	167	575	265	230	300	14.5	4	M32X1.5
160M	330	265	42	110	80	12	37	8	665	15	268	720	300	250	350	18.5	5	M40X1.5
160L	330	265	42	110	80	12	37	8	665	15	268	720	300	250	350	18.5	5	M40X1.5
180M	380	285	48	110	80	14	42.5	9	730	15	277	785	300	250	350	18.5	5	M40X1.5
180L	380	285	48	110	80	14	42.5	9	730	15	277	785	300	250	350	18.5	5	M40X1.5
200L	420	310	55	110	90	16	49	10	790	17	298	860	350	300	400	18.5	5	M50X1.5
225S(4-6P)	465	335	60	140	100	18	53	11	840	19	338	910	400	350	450	18.5	5	M50X1.5
225M(2P)	465	335	55	110	80	16	49	10	865	19	338	935	400	350	450	18.5	5	M50X1.5
225M(4-6P)	465	335	60	140	100	18	53	11	865	19	338	935	400	350	450	18.5	5	M50X1.5
250M(2P)	520	385	60	140	100	18	53	11	945	20	360	1025	500	450	550	18.5	5	M63X1.5
250M(4-6P)	520	385	65	140	100	18	58	11	945	20	360	1025	500	450	550	18.5	5	M63X1.5
280S(2P)	570	415	65	140	100	18	58	11	990	22	344	1080	500	450	550	18.5	5	M63X1.5
280S(4-6P)	570	415	75	140	100	20	67.5	12	990	22	344	1080	500	450	550	18.5	5	M63X1.5
280M(2P)	570	415	65	140	100	18	58	11	1045	22	344	1125	500	450	550	18.5	5	M63X1.5
280M(4-6P)	570	415	75	140	100	20	67.5	12	1045	22	344	1125	500	450	550	18.5	5	M63X1.5
315S(2P)	650	490	65	140	100	18	58	11	1185	24	417	1285	600	550	660	24	6	M63X1.5
315M(2P)	650	490	65	140	100	18	58	11	1295	24	417	1395	600	550	660	24	6	M63X1.5
315L(2P)	650	490	65	140	100	18	58	11	1295	24	417	1395	600	550	660	24	6	M63X1.5
315S(4-6P)	650	490	80	170	130	22	71	14	1215	24	417	1315	600	550	660	24	6	M63X1.5
315M(4-6P)	650	490	80	170	130	22	71	14	1325	24	417	1425	600	550	660	24	6	M63X1.5
315L(4-6P)	650	490	80	170	130	22	71	14	1325	24	417	1425	600	550	660	24	6	M63X1.5
355M(2P)V1	735	645	75	140	110	20	67.5	12	1600	25	420	1700	740	680	800	24	6	M63X1.5
355L1(2P)V1	735	645	75	140	110	20	67.5	12	1600	25	420	1700	740	680	800	24	6	M63X1.5
355L2,3(2P)V1	800	770	80	170	130	22	71	14	1870	25	472	1970	840	780	900	24	6	M63X1.5
355M(4-6P)V1	735	645	95	170	140	25	86	14	1630	25	450	1730	740	680	800	24	6	M63X1.5
355L1(4-6P)V1	735	645	95	170	140	25	86	14	1630	25	450	1730	740	680	800	24	6	M63X1.5
355L2,3(4-6P)V1	800	770	110	210	180	28	100	16	1940	25	512	2040	840	780	900	24	6	M63X1.5

Note : R=0