

IE3

SERIES THREE-PHASE INDUCTION MOTOR



PRODUCT INTRODUCTION

SUNVIM IE3 electric motors are manufactured according to international standard IEC60034-30-1:2014. All IE3 motors are provided with premium quality cold-rolled silicon steel, low harmonics winding, VPI vacuum pressure impregnation and high precision CNC machining process. The motors are widely mounted on various general equipments and are the preferred choice for driving power. SUNVIM IE3 motors have the advantage of high efficiency, low temperature rise, low noise, good reliability and long service time. The motors can be provided with protection grade IP55, IP56, IP65, IP66 and insulation grade F, H, and have registered in national energy label system.

SPECIFICATION

Standard: IEC60034-30-1
Frame size: H80-355mm
Rated power: 0.718kW-375kW
Degrees or energy efficiency: IE3
Voltage and frequency: 400V/ 50Hz
Degrees of protections: IP55
Degrees of insulation/Temperature rise: F/B
Installation Method: B3\ B5\B35\V1
Ambient temperature: -15°C~+40°C
Relative humidity should be less than 90%
Altitude should be lower than 1000 m above sea level
Cooling Method: IC411 、 IC416、 IC418、 IC410

2-pole, 3000r/min synchronous speed

Motor Type	Rated Power kW	Rated Speed r/min	Rated Current 380V A	Rated Current 400V A	Rated Current 415V A	Rated Eff. $\eta\%$	Power Factor $\cos\phi$	Rated Torque Nm	$\frac{I_{st}}{I_n}$	$\frac{T_{st}}{T_n}$	$\frac{T_{max}}{T_n}$	M of 1 kgm ²	LW dB(A) no load	LW dB(A) load	Net Weight Kg
IE3-80M1-2	0.75	2910	1.7	1.6	1.6	80.7	0.82	2.5	7.0	2.3	2.3	0.001	62	64	20
IE3-80M2-2	1.1	2910	2.4	2.3	2.2	82.7	0.83	3.6	7.3	2.2	2.3	0.002	62	64	22
IE3-90S-2	1.5	2910	3.2	3.1	3	84.2	0.84	4.9	7.6	2.2	2.3	0.002	67	69	25
IE3-90L-2	2.2	2910	4.6	4.3	4.2	85.9	0.85	7.2	7.6	2.2	2.3	0.003	67	69	32
IE3-100L-2	3	2910	6	5.7	5.5	87.1	0.87	9.8	7.8	2.2	2.3	0.006	74	76	42
IE3-112M-2	4	2915	7.8	7.4	7.2	88.1	0.88	13.1	8.3	2.2	2.3	0.009	77	79	50
IE3-132S1-2	5.5	2920	10.6	10.1	9.7	89.2	0.88	18	8.3	2.0	2.3	0.024	79	81	70
IE3-132S2-2	7.5	2920	14.4	13.7	13.2	90.1	0.88	24.5	7.9	2.0	2.3	0.029	79	81	75
IE3-160M1-2	11	2935	20.6	19.6	18.9	91.2	0.89	35.8	8.1	2.0	2.3	0.067	81	83	132
IE3-160M2-2	15	2935	27.9	26.5	25.5	91.9	0.89	48.8	8.1	2.0	2.3	0.080	81	83	140
IE3-160L-2	18.5	2935	34.2	32.5	31.3	92.4	0.89	60.2	8.2	2.0	2.3	0.097	81	83	150
IE3-180M-2	22	2940	40.5	38.5	37.1	92.7	0.89	71.5	8.2	2.0	2.3	0.137	83	85	200
IE3-200L1-2	30	2950	54.9	52.1	50.3	93.3	0.89	97.1	7.6	2.0	2.3	0.227	84	86	260
IE3-200L2-2	37	2950	67.4	64	61.7	93.7	0.89	120	7.6	2.0	2.3	0.269	84	86	270
IE3-225M-2	45	2970	80.8	76.8	74	94.0	0.90	145	7.7	2.0	2.3	0.360	86	88	330
IE3-250M-2	55	2970	98.5	93.5	90.2	94.3	0.90	177	7.7	2.0	2.3	0.791	89	91	450
IE3-280S-2	75	2975	134	127	122	94.7	0.90	241	7.1	1.8	2.3	0.960	91	93	580
IE3-280M-2	90	2975	160	152	146	95.0	0.90	289	7.1	1.8	2.3	1.157	91	93	630
IE3-315S-2	110	2980	195	185	179	95.2	0.90	353	7.1	1.8	2.3	1.662	92	94	935
IE3-315M-2	132	2980	234	222	214	95.4	0.90	423	7.1	1.8	2.3	1.874	92	94	1032
IE3-315L1-2	160	2980	279	265	256	95.6	0.91	513	7.2	1.8	2.3	2.146	92	94	1100
IE3-315L-2	185	2980	323	307	296	95.6	0.91	593	7.2	1.8	2.3	2.266	92	94	1130
IE3-315L2-2	200	2980	349	331	319	95.8	0.91	641	7.2	1.8	2.2	2.448	92	94	1160
IE3-355M1-2	220	2980	388	368	355	95.8	0.90	705	7.2	1.6	2.2	2.693	100	102	1615
IE3-355M2-2	250	2980	436	414	399	95.8	0.91	801	7.2	1.6	2.2	4.034	100	102	1658
IE3-355L-2	280	2980	488	464	447	95.8	0.91	897	7.2	1.6	2.2	4.095	100	102	1736
IE3-355L1-2	315	2980	549	522	503	95.8	0.91	1010	7.2	1.6	2.2	4.645	100	102	1822
IE3-355L2-2	355	2980	619	588	567	95.8	0.91	1138	7.2	1.6	2.2	5.242	104	106	2300
IE3-355L3-2	375	2980	654	621	598	95.8	0.91	1202	7.2	1.6	2.2	5.536	104	106	2350

4-pole, 1500r/min synchronous speed

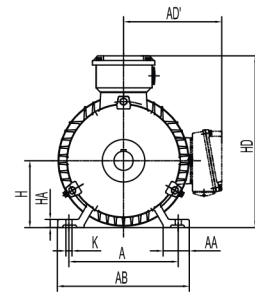
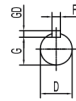
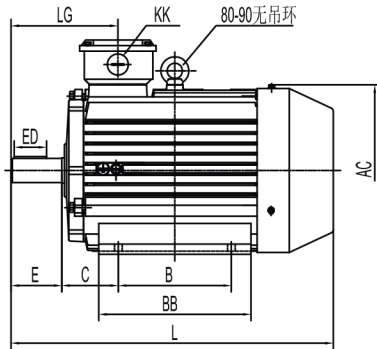
Motor Type	Rated Power kW	Rated Speed r/min	Rated Current 380V A	Rated Current 400V A	Rated Current 415V A	Rated Eff. η%	Power Factor cosφ	Rated Torque Nm	I _{st} In	T _{st} Tn	T _{max} Tn	Mof1 kgm ²	LW dB(A) no load	LW dB(A) load	Net Weight Kg
YE3-802-4	0.75	1430	1.8	1.7	1.7	82.5	0.75	5	6.6	2.3	2.3	0.003	56	61	21
YE3-90S-4	1.1	1435	2.6	2.5	2.4	84.1	0.76	7.3	6.8	2.3	2.3	0.004	59	64	29
YE3-90L-4	1.5	1435	3.5	3.3	3.2	85.3	0.77	10	7.0	2.3	2.3	0.005	59	64	33
YE3-100L1-4	2.2	1450	4.8	4.5	4.4	86.7	0.81	14.5	7.6	2.3	2.3	0.012	64	69	40
YE3-100L2-4	3	1450	6.3	6	5.8	87.7	0.82	19.8	7.6	2.3	2.3	0.016	64	69	45
YE3-112M-4	4	1455	8.4	7.9	7.7	88.6	0.82	26.3	7.8	2.2	2.3	0.022	65	70	55
YE3-132S-4	5.5	1460	11.2	10.7	10.3	89.6	0.83	36	7.9	2.0	2.3	0.060	71	76	75
YE3-132M-4	7.5	1460	15	14.3	13.7	90.4	0.84	49.1	7.5	2.0	2.3	0.071	71	76	88
YE3-160M-4	11	1470	21.5	20.4	19.7	91.4	0.85	71.5	7.7	2.2	2.3	0.137	73	78	132
YE3-160L-4	15	1470	28.8	27.3	26.3	92.1	0.86	97.4	7.8	2.2	2.3	0.171	73	78	150
YE3-180M-4	18.5	1475	35.3	33.5	32.3	92.6	0.86	120	7.8	2.0	2.3	0.238	76	80	190
YE3-180L-4	22	1475	41.8	39.7	38.3	93.0	0.86	142	7.8	2.0	2.3	0.259	76	80	206
YE3-200L-4	30	1475	56.6	53.8	51.9	93.6	0.86	194	7.3	2.0	2.3	0.459	76	80	278
YE3-225S-4	37	1480	69.6	66.1	63.7	93.9	0.86	239	7.4	2.0	2.3	0.656	78	81	330
YE3-225M-4	45	1480	84.4	80.2	77.3	94.2	0.86	290	7.4	2.0	2.3	0.758	78	81	360
YE3-250M-4	55	1485	103	97.6	94.1	94.6	0.86	354	7.4	2.2	2.3	1.078	79	82	450
YE3-280S-4	75	1485	136	129	125	95.0	0.88	482	6.9	2.0	2.3	1.800	80	83	640
YE3-280M-4	90	1485	163	155	149	95.2	0.88	579	6.9	2.0	2.3	2.130	80	83	722
YE3-315S-4	110	1490	197	187	180	95.4	0.89	705	7.0	2.0	2.2	3.415	88	91	960
YE3-315M-4	132	1490	236	224	216	95.6	0.89	846	7.0	2.0	2.2	3.807	88	91	1050
YE3-315L1-4	160	1490	285	271	261	95.8	0.89	1026	7.1	2.0	2.2	3.423	88	91	1150
YE3-315L-4	185	1490	330	313	302	95.8	0.89	1186	7.1	2.0	2.2	4.479	88	91	1200
YE3-315L2-4	200	1490	352	334	322	96.0	0.90	1282	7.1	2.0	2.2	5.262	88	91	1250
YE3-355M1-4	220	1490	387	368	354	96.0	0.90	1410	7.1	2.0	2.2	5.449	95	97	1632
YE3-355M2-4	250	1490	440	418	403	96.0	0.90	1602	7.1	2.0	2.2	6.192	95	97	1725
YE3-355L-4	280	1490	492	468	451	96.0	0.90	1795	7.1	2.0	2.2	6.732	95	97	1792
YE3-355L1-4	315	1490	554	526	507	96.0	0.90	2019	7.1	2.0	2.2	7.273	95	97	1960
YE3-355L2-4	355	1490	638	607	585	96.0	0.88	2275	7.0	1.7	2.2	8.196	102	104	2150
YE3-355L3-4	375	1490	674	641	618	96.0	0.88	2404	7.0	1.7	2.2	8.658	102	104	2350

6-pole, 1000r/min synchronous speed

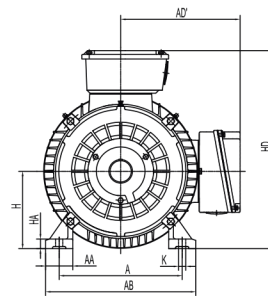
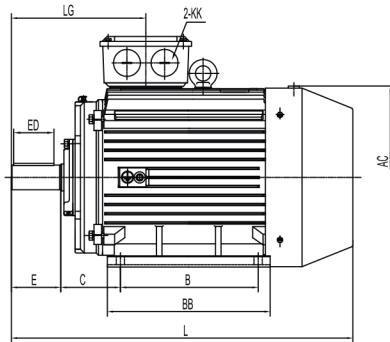
Motor Type	Rated Power kW	Rated Speed r/min	Rated Current 380V A	Rated Current 400V A	Rated Current 415V A	Rated Eff. $\eta\%$	Power Factor $\cos\phi$	Rated Torque Nm	$\frac{I_{st}}{I_n}$	$\frac{T_{st}}{T_n}$	$\frac{T_{max}}{T_n}$	M of 1 kgm ²	LW dB(A) no load	LW dB(A) load	Net Weight Kg
YE3-90S-6	0.75	930	2	1.9	1.9	78.9	0.71	7.7	6.0	2.0	2.1	0.004	57	64	26
YE3-90L-6	1.1	930	2.8	2.7	2.6	81.0	0.73	11.3	6.0	2.0	2.1	0.006	57	64	30
YE3-100L-6	1.5	950	3.8	3.6	3.5	82.5	0.73	15.1	6.5	2.0	2.1	0.016	61	68	38
YE3-112M-6	2.2	960	5.4	5.1	4.9	84.3	0.74	21.9	6.6	2.0	2.1	0.039	65	72	48
YE3-132S-6	3	970	7.2	6.8	6.6	85.6	0.74	29.5	6.8	2.0	2.1	0.035	69	76	65
YE3-132M1-6	4	970	9.5	9	8.7	86.8	0.74	39.4	6.8	2.0	2.1	0.043	69	76	76
YE3-132M2-6	5.5	970	12.7	12	11.6	88.0	0.75	54.1	7.0	2.0	2.1	0.056	69	76	85
YE3-160M-6	7.5	975	16.2	15.4	14.8	89.1	0.79	73.5	7.0	2.0	2.1	0.140	73	80	130
YE3-160L-6	11	975	23.1	22	21.2	90.3	0.80	108	7.2	2.0	2.1	0.192	73	80	145
YE3-180L-6	15	985	30.9	29.3	28.2	91.2	0.81	145	7.3	2.0	2.1	0.319	73	79	195
YE3-200L1-6	18.5	980	37.8	36	34.7	91.7	0.81	180	7.3	2.0	2.1	0.446	73	79	250
YE3-200L2-6	22	980	44.8	42.5	41	92.2	0.81	214	7.4	2.0	2.1	0.557	73	79	265
YE3-225M-6	30	980	59.1	56.1	54.1	92.9	0.83	292	6.9	2.0	2.1	0.832	74	80	320
YE3-250M-6	37	980	71.7	68.1	65.7	93.3	0.84	361	7.1	2.0	2.1	1.447	76	82	420
YE3-280S-6	45	980	85.8	81.6	78.6	93.7	0.85	439	7.3	2.0	2.0	2.252	78	84	555
YE3-280M-6	55	980	103	98.1	94.6	94.1	0.86	536	7.3	2.0	2.0	2.726	78	84	630
YE3-315S-6	75	990	143	136	131	94.6	0.84	724	6.6	2.0	2.0	3.984	83	88	865
YE3-315M-6	90	990	170	161	155	94.9	0.85	868	6.7	2.0	2.0	4.500	83	88	980
YE3-315L1-6	110	990	207	196	189	95.1	0.85	1061	6.7	2.0	2.0	5.607	83	88	1100
YE3-315L2-6	132	990	244	232	224	95.4	0.86	1273	6.8	2.0	2.0	6.935	83	88	1200
YE3-355M1-6	160	990	296	281	271	95.6	0.86	1543	6.8	1.8	2.0	10.222	85	89	1650
YE3-355M-6	185	990	342	325	313	95.6	0.86	1785	6.8	1.8	2.0	10.750	85	89	1750
YE3-355M2-6	200	990	365	346	334	95.8	0.87	1929	6.8	1.8	2.0	11.031	85	89	1810
YE3-355M3-6	220	990	402	382	368	95.8	0.87	2122	6.8	1.8	2.0	11.705	85	89	1910
YE3-355L2-6	250	990	456	433	417	95.8	0.87	2412	6.8	1.8	2.0	11.897	85	89	2060
YE3-355L-6	280	990	512	486	468	95.8	0.87	2701	6.8	1.8	2.0	14.333	85	89	2110
YE3-355L3-6	315	990	581	552	532	95.8	0.86	3039	6.8	1.8	2.0	14.990	91	95	2400

DIMENSIONS MOUNT B3

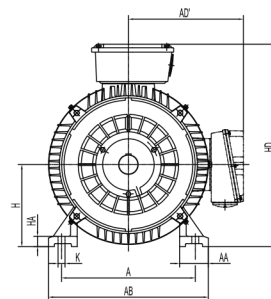
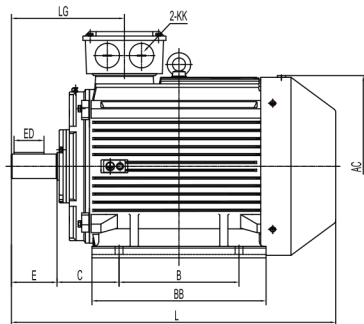
IE3-80-132



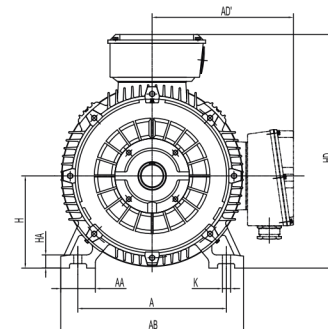
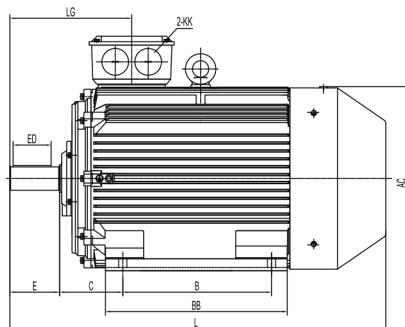
IE3-160-200



IE3-225-280



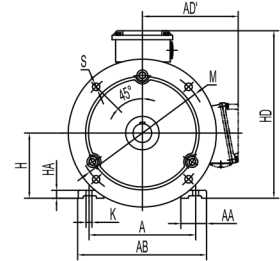
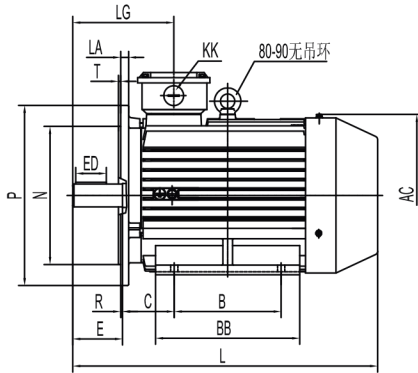
IE3-315-355



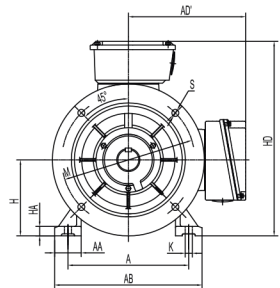
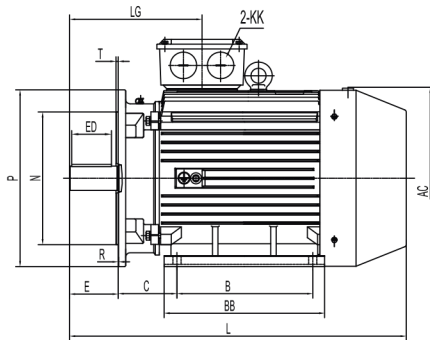
Frame	A	AA	AB	AC	AD'	B	BB	C	D	E	ED	F	G	GD	H	HA	HD	K	KK	L	LG
80	125	34	160	180	160	100	142	50	19	40	22	6	15.5	6	80	10	240	10	M25X1.5	305	112
90S	140	36	180	210	170	100	180	56	24	50	32	8	20	7	90	12.5	260	10	M25X1.5	340	132
90L	140	36	180	210	165	125	210	56	24	50	32	8	20	7	90	12.5	260	10	M25X1.5	365	132
100L	160	40	200	220	185	140	233	63	28	60	40	8	24	7	100	14	285	12	M25X1.5	403	153
112M	190	45	236	236	205	140	252	70	28	60	40	8	24	7	112	14	315	12	M32X1.5	410	144
132S	216	52	265	275	225	140	220	89	38	80	56	10	33	8	132	16	355	12	M32X1.5	485	167
132M	216	52	265	275	225	178	258	89	38	80	56	10	33	8	132	16	355	12	M32X1.5	525	167
160M	254	65	320	330	265	210	325	108	42	110	80	12	37	8	160	19	425	14.5	M40X1.5	665	268
160L	254	65	320	330	265	254	325	108	42	110	80	12	37	8	160	19	425	14.5	M40X1.5	665	268
180M	279	70	350	380	285	241	335	121	48	110	80	14	42.5	9	180	22	465	14.5	M40X1.5	730	277
180L	279	70	350	380	285	279	335	121	48	110	80	14	42.5	9	180	22	465	14.5	M40X1.5	730	277
200L	318	80	390	420	310	305	355	133	55	110	90	16	49	10	200	25	510	18.5	M50X1.5	790	298
225S(4-6P)	356	75	435	465	335	286	350	149	60	140	100	18	53	11	225	28	560	18.5	M50X1.5	840	338
225M(2P)	356	75	435	465	335	311	375	149	55	110	80	16	49	10	225	28	560	18.5	M50X1.5	865	338
225M(4-6P)	356	75	435	465	335	311	375	149	60	140	100	18	53	11	225	28	560	18.5	M50X1.5	865	338
250M(2P)	406	100	485	520	385	349	450	168	60	140	100	18	53	11	250	33	635	24	M63X1.5	945	360
250M(4-6P)	406	100	485	520	385	349	450	168	65	140	100	18	58	11	250	33	635	24	M63X1.5	945	360
280S(2P)	457	105	550	570	415	368	490	190	65	140	100	18	58	11	280	35	695	24	M63X1.5	990	344
280S(4-6P)	457	105	550	570	415	368	490	190	75	140	100	20	67.5	12	280	35	695	24	M63X1.5	990	344
280M(2P)	457	105	550	570	415	419	540	190	65	140	100	18	58	11	280	35	695	24	M63X1.5	1045	344
280M(4-6P)	457	105	550	570	415	419	540	190	75	140	100	20	67.5	12	280	35	695	24	M63X1.5	1045	344
315S(2P)	508	125	630	650	490	406	515	216	65	140	100	18	58	11	315	45	805	28	M63X1.5	1185	417
315M(2P)	508	125	630	650	490	457	625	216	65	140	100	18	58	11	315	45	805	28	M63X1.5	1295	417
315L(2P)	508	125	630	650	490	508	625	216	65	140	100	18	58	11	315	45	805	28	M63X1.5	1295	417
315S(4-6P)	508	125	630	650	490	406	515	216	80	170	130	22	71	14	315	45	805	28	M63X1.5	1215	417
315M(4-6P)	508	125	630	650	490	457	625	216	80	170	130	22	71	14	315	45	805	28	M63X1.5	1325	417
315L(4-6P)	508	125	630	650	490	508	625	216	80	170	130	22	71	14	315	45	805	28	M63X1.5	1325	417
355M(2P)	610	125	735	735	645	560	850	254	75	140	110	20	67.5	12	355	49	1000	28	M63X1.5	1620	420
355L1(2P)	610	125	735	735	645	630	850	254	75	140	110	20	67.5	12	355	49	1000	28	M63X1.5	1620	420
355L2,3(2P)	630	135	760	800	770	800	1140	224	80	170	130	22	71	14	355	52	1000	35	M63X1.5	1870	472
355M(4-6P)	610	125	735	735	645	560	850	254	95	170	140	25	86	14	355	49	1000	28	M63X1.5	1650	450
355L1(4-6P)	610	125	735	735	645	630	850	254	95	170	140	25	86	14	355	49	1000	28	M63X1.5	1650	450
355L3-4PL2-6P	630	135	760	800	770	800	1140	224	110	210	180	28	100	16	355	52	1000	35	M63X1.5	1940	512

DIMENSIONS MOUNT B35

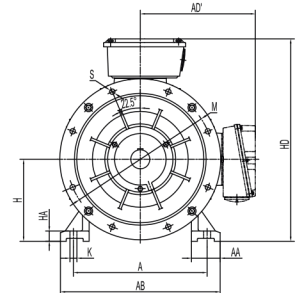
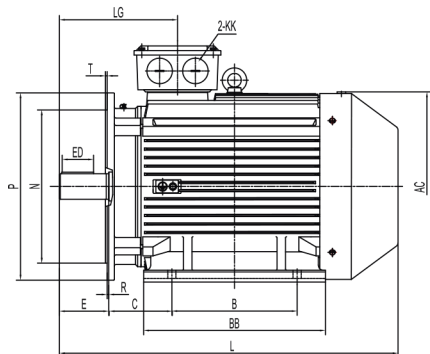
IE3-80-132



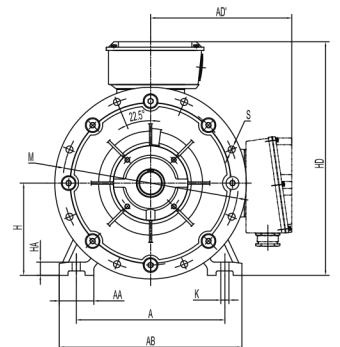
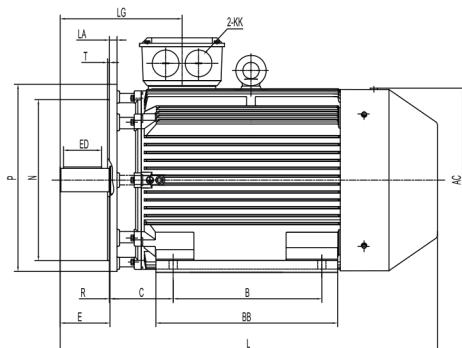
IE3-160-200



IE3-225-280



IE3-315-355

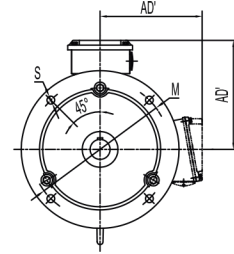
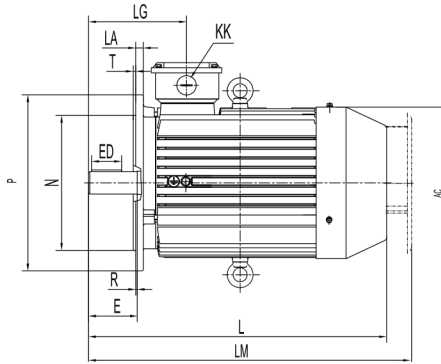


Frame	A	AA	AB	AC	AD'	B	BB	C	D	E	ED	F	G	GD	H	HA	HD	K	L	LA	LG	M	N	P	S	T	KK
80	125	34	160	180	160	100	142	50	19	40	22	6	15.5	6	80	10	240	10	305	14	112	165	130	200	12	3.5	M25X1.5
90S	140	36	180	210	170	100	180	56	24	50	32	8	20	7	90	13	260	10	340	12	132	165	130	200	12	3.5	M25X1.5
90L	140	36	180	210	165	125	210	56	24	50	32	8	20	7	90	13	260	10	365	12	132	165	130	200	12	3.5	M25X1.5
100L	160	40	200	220	185	140	233	63	28	60	40	8	24	7	100	14	285	12	403	14	153	215	180	250	14.5	4	M25X1.5
112M	190	45	230	236	205	140	252	70	28	60	40	8	24	7	112	14	315	12	410	12	144	215	180	250	14.5	4	M32X1.5
132S	216	52	265	275	225	140	220	89	38	80	56	10	33	8	132	16	355	12	485	13	167	265	230	300	14.5	4	M32X1.5
132M	216	52	265	275	225	178	258	89	38	80	56	10	33	8	132	16	355	12	525	13	167	265	230	300	14.5	4	M32X1.5
160M	254	65	320	330	265	210	325	108	42	110	80	12	37	8	160	19	425	14.5	665	15	268	300	250	350	18.5	5	M40X1.5
160L	254	65	320	330	265	254	325	108	42	110	80	12	37	8	160	19	425	14.5	665	15	268	300	250	350	18.5	5	M40X1.5
180M	279	70	350	380	285	241	335	121	48	110	80	14	42.5	9	180	22	465	14.5	730	15	277	300	250	350	18.5	5	M40X1.5
180L	279	70	350	380	285	279	335	121	48	110	80	14	42.5	9	180	22	465	14.5	730	15	277	300	250	350	18.5	5	M40X1.5
200L	318	80	390	420	310	305	355	133	55	110	90	16	49	10	200	25	510	18.5	790	17	298	350	300	400	18.5	5	M50X1.5
225S(4-6P)	356	75	435	465	335	286	350	149	60	140	100	18	53	11	225	28	560	18.5	840	19	338	400	350	450	18.5	5	M50X1.5
225M(2P)	356	75	435	465	335	311	375	149	55	110	80	16	49	10	225	28	560	18.5	865	19	338	400	350	450	18.5	5	M50X1.5
225M(4-6P)	356	75	435	465	335	311	375	149	60	140	100	18	53	11	225	28	560	18.5	865	19	338	400	350	450	18.5	5	M50X1.5
250M(2P)	406	100	485	520	385	349	450	168	60	140	100	18	53	11	250	33	635	24	945	20	360	500	450	550	18.5	5	M63X1.5
250M(4-6P)	406	100	485	520	385	349	450	168	65	140	100	18	58	11	250	33	635	24	945	20	360	500	450	550	18.5	5	M63X1.5
280S(2P)	457	105	550	570	415	368	490	190	65	140	100	18	58	11	280	35	695	24	990	22	344	500	450	550	18.5	5	M63X1.5
280S(4-6P)	457	105	550	570	415	368	490	190	75	140	100	20	67.5	12	280	35	695	24	990	22	344	500	450	550	18.5	5	M63X1.5
280M(2P)	457	105	550	570	415	419	540	190	65	140	100	18	58	11	280	35	695	24	1045	22	344	500	450	550	18.5	5	M63X1.5
280M(4-6P)	457	105	550	570	415	419	540	190	75	140	100	20	67.5	12	280	35	695	24	1045	22	344	500	450	550	18.5	5	M63X1.5
315S(2P)	508	125	630	650	490	406	515	216	65	140	100	18	58	11	315	45	805	28	1185	24	417	600	550	660	24	6	M63X1.5
315M(2P)	508	125	630	650	490	457	625	216	65	140	100	18	58	11	315	45	805	28	1295	24	417	600	550	660	24	6	M63X1.5
315L(2P)	508	125	630	650	490	508	625	216	65	140	100	18	58	11	315	45	805	28	1295	24	417	600	550	660	24	6	M63X1.5
315S(4-6P)	508	125	630	650	490	406	515	216	80	170	130	22	71	14	315	45	805	28	1185	24	417	600	550	660	24	6	M63X1.5
315M(4-6P)	508	125	630	650	490	457	625	216	80	170	130	22	71	14	315	45	805	28	1325	24	417	600	550	660	24	6	M63X1.5
315L(4-6P)	508	125	630	650	490	508	625	216	80	170	130	22	71	14	315	45	805	28	1325	24	417	600	550	660	24	6	M63X1.5
355M(2P)	610	125	735	735	645	560	850	254	75	140	110	20	67.5	12	355	49	1000	28	1620	25	420	740	680	800	24	6	M63X1.5
355L1(2P)	610	125	735	735	645	630	850	254	75	140	110	20	67.5	12	355	49	1000	28	1620	25	420	740	680	800	24	6	M63X1.5
355L2,3(2P)	630	135	760	800	770	800	1140	224	80	170	130	22	71	14	355	52	1000	35	1870	25	472	840	780	900	24	6	M63X1.5
355M(4-6P)	610	125	735	735	645	560	850	254	95	170	140	25	86	14	355	49	1000	28	1650	25	450	740	680	800	24	6	M63X1.5
355L1(4-6P)	610	125	735	735	645	630	850	254	95	170	140	25	86	14	355	49	1000	28	1650	25	450	740	680	800	24	6	M63X1.5
355L3-4PL2-6P	630	135	760	800	770	800	1140	224	110	210	180	28	100	16	355	52	1000	35	1940	25	512	840	780	900	24	6	M63X1.5

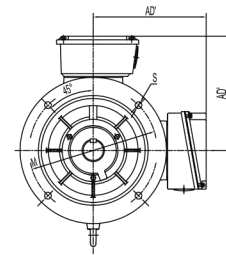
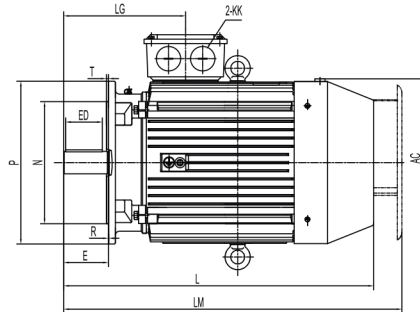
Note: R=0

DIMENSIONS MOUNT B35 & V1

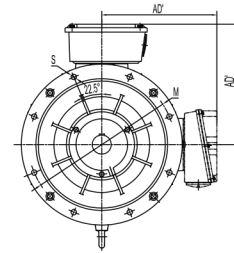
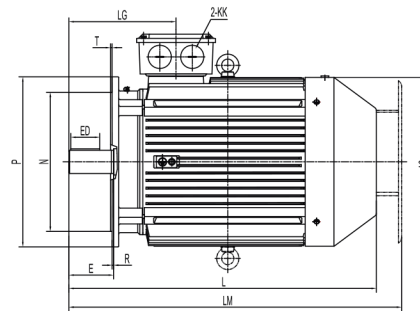
IE3-80-132



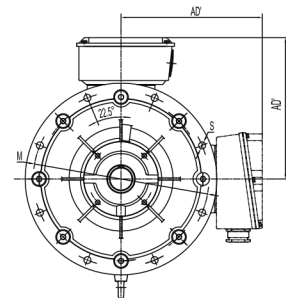
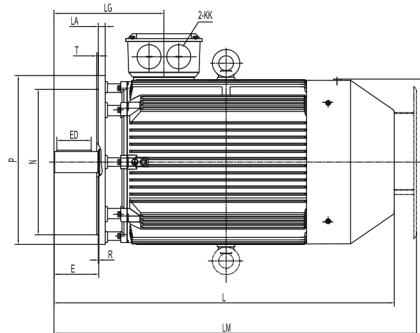
IE3-160-200



IE3-225-280



IE3-315-355

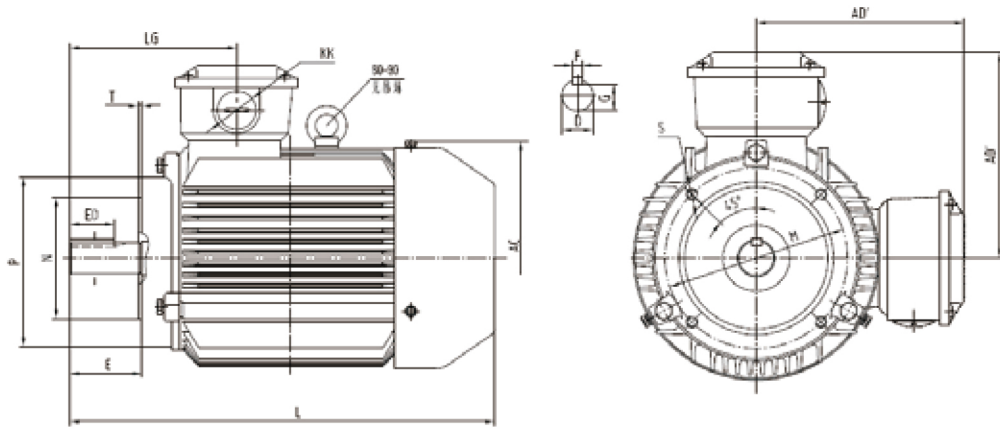


Frame	AC	AD'	D	E	ED	F	G	GD	L	LA	LG	LM	M	N	P	S	T	KK
80	175	160	19	40	22	6	15.5	6	305	14	112	345	165	130	200	12	3.5	M25X1.5
90S	195	170	24	50	32	8	20	7	340	12	132	380	165	130	200	12	3.5	M25X1.5
90L	195	170	24	50	32	8	20	7	365	12	132	405	165	130	200	12	3.5	M25X1.5
100L	215	185	28	60	40	8	24	7	403	14	153	450	215	180	250	14.5	4	M25X1.5
112M	240	205	28	60	40	8	24	7	410	12	144	460	215	180	250	14.5	4	M32X1.5
132S	275	225	38	80	56	10	33	8	485	13	167	535	265	230	300	14.5	4	M32X1.5
132M	275	225	38	80	56	10	33	8	525	13	167	575	265	230	300	14.5	4	M32X1.5
160M	330	265	42	110	80	12	37	8	665	15	268	720	300	250	350	18.5	5	M40X1.5
160L	330	265	42	110	80	12	37	8	665	15	268	720	300	250	350	18.5	5	M40X1.5
180M	380	285	48	110	80	14	42.5	9	730	15	277	785	300	250	350	18.5	5	M40X1.5
180L	380	285	48	110	80	14	42.5	9	730	15	277	785	300	250	350	18.5	5	M40X1.5
200L	420	310	55	110	90	16	49	10	790	17	298	860	350	300	400	18.5	5	M50X1.5
225S(4-6P)	465	335	60	140	100	18	53	11	840	19	338	910	400	350	450	18.5	5	M50X1.5
225M(2P)	465	335	55	110	80	16	49	10	865	19	338	935	400	350	450	18.5	5	M50X1.5
225M(4-6P)	465	335	60	140	100	18	53	11	865	19	338	935	400	350	450	18.5	5	M50X1.5
250M(2P)	520	385	60	140	100	18	53	11	945	20	360	1025	500	450	550	18.5	5	M63X1.5
250M(4-6P)	520	385	65	140	100	18	58	11	945	20	360	1025	500	450	550	18.5	5	M63X1.5
280S(2P)	570	415	65	140	100	18	58	11	990	22	344	1080	500	450	550	18.5	5	M63X1.5
280S(4-6P)	570	415	75	140	100	20	67.5	12	990	22	344	1080	500	450	550	18.5	5	M63X1.5
280M(2P)	570	415	65	140	100	18	58	11	1045	22	344	1125	500	450	550	18.5	5	M63X1.5
280M(4-6P)	570	415	75	140	100	20	67.5	12	1045	22	344	1125	500	450	550	18.5	5	M63X1.5
315S(2P)	650	490	65	140	100	18	58	11	1185	24	417	1285	600	550	660	24	6	M63X1.5
315M(2P)	650	490	65	140	100	18	58	11	1295	24	417	1395	600	550	660	24	6	M63X1.5
315L(2P)	650	490	65	140	100	18	58	11	1295	24	417	1395	600	550	660	24	6	M63X1.5
315S(4-6P)	650	490	80	170	130	22	71	14	1215	24	417	1315	600	550	660	24	6	M63X1.5
315M(4-6P)	650	490	80	170	130	22	71	14	1325	24	417	1425	600	550	660	24	6	M63X1.5
315L(4-6P)	650	490	80	170	130	22	71	14	1325	24	417	1425	600	550	660	24	6	M63X1.5
355M(2P)V1	735	645	75	140	110	20	67.5	12	1620	25	420	1720	740	680	800	24	6	M63X1.5
355L1(2P)V1	735	645	75	140	110	20	67.5	12	1620	25	420	1720	740	680	800	24	6	M63X1.5
355L2,3(2P)V1	800	770	80	170	130	22	71	14	1870	25	472	1970	840	780	900	24	6	M63X1.5
355M(4-6P)V1	735	645	95	170	140	25	86	14	1650	25	450	1750	740	680	800	24	6	M63X1.5
355L1(4-6P)V1	735	645	95	170	140	25	86	14	1650	25	450	1750	740	680	800	24	6	M63X1.5
355L3-4P;L2-6P;V1	800	770	110	210	180	28	100	16	1940	25	512	2040	840	780	900	24	6	M63X1.5

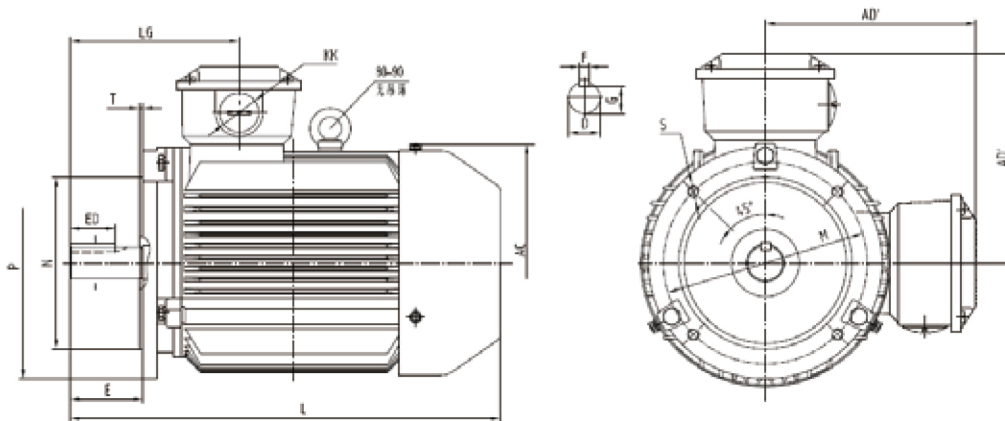
Note: R=0

DIMENSIONS MOUNT B14

80-160 B14A



80-132 B14B



FRAME SIZE	AC	AD'	D	E	ED	F	G	GD	KK	L	LG	B14A					B14B				
												M	N	P	S	T	M	N	P	S	T
80M	175	155	19	40	22	6	15.5	6	M25X1.5	305	112	100	80	120	M6	3	130	110	160	M8	3.5
90S	195	175	24	50	32	8	20	7	M25X1.5	360	132	115	95	140	M8	3	130	110	160	M8	3.5
90L	195	175	24	50	32	8	20	7	M25X1.5	390	132	115	95	140	M8	3	130	110	160	M8	3.5
100L	215	180	28	60	40	8	24	7	M25X1.5	435	153	130	110	160	M8	3.5	165	130	200	M10	3.5
112M	240	190	28	60	40	8	24	7	2XM32X1.5	470	144	130	110	160	M8	3.5	165	130	200	M10	3.5
132S	275	210	38	80	56	10	33	8	2XM32X1.5	510	167	165	130	200	M10	3.5	215	180	250	M12	4
132M	275	210	38	80	56	10	33	8	2XM32X1.5	560	167	165	130	200	M10	3.5	215	180	250	M12	4
160M	330	255	42	110	80	12	37	8	2XM40X1.5	700	268	215	180	250	M12	4	-	-	-	-	-
160L	330	255	42	110	80	12	37	8	2XM40X1.5	700	268	215	180	250	M12	4	-	-	-	-	-