



产品简介

Y 系列高压三相异步电动机是鼠笼型转子三相异步电动机, 该系列电机防护等级为 IP23, 冷却方式为 IC01, 绝缘等级为 F 级, 安装形式为 IMB3, 额定电压为 6kV 或 10kV。

该系列电机采用箱式结构, 重量轻, 刚性好, 具有效率高, 噪声低, 振动小, 重量轻, 质量可靠, 安装维修方便等优点, 可广泛用于电站、水厂、石化、冶金、矿山等行业。

PRODUCT INTRODUCTION

Y Series high voltage motor is squirrel-cage three phase asynchronous induction motor. The motor has protection class IP23, cooling method IC01, insulation class F, and mounting arrangement IMB3. The rated voltage is 6kV or 10kV.

This series motor is designed to be a box-type with light weight and high rigidity. The motors have good features of high efficiency, low noise, low vibration, reliable performance, easy installation and maintenance. They are widely used in power station, water plant, petrochemical, metallurgy and mining industries.

详细说明

中心高: H355-710mm(6kV)、H450-710mm(10kV)

额定输出功率: 220kW-5000kW、250 kW-3550kW

电压和频率: 6kV /50Hz, 10kV /50Hz

防护等级: IP23

绝缘 / 温升等级: F

安装形式: B3

环境温度: -15°C ~+40°C

冷却方式: IC01

SPECIFICATION

Frame size: H355-710mm(6kV), H450-710mm(10kV)

Rated power: 220kW-5000kW、250 kW-3550kW

Voltage and frequency: 6kV /50Hz, 10kV /50Hz

Degrees of protection: IP23

Degrees of insulation/Temperature rise: F

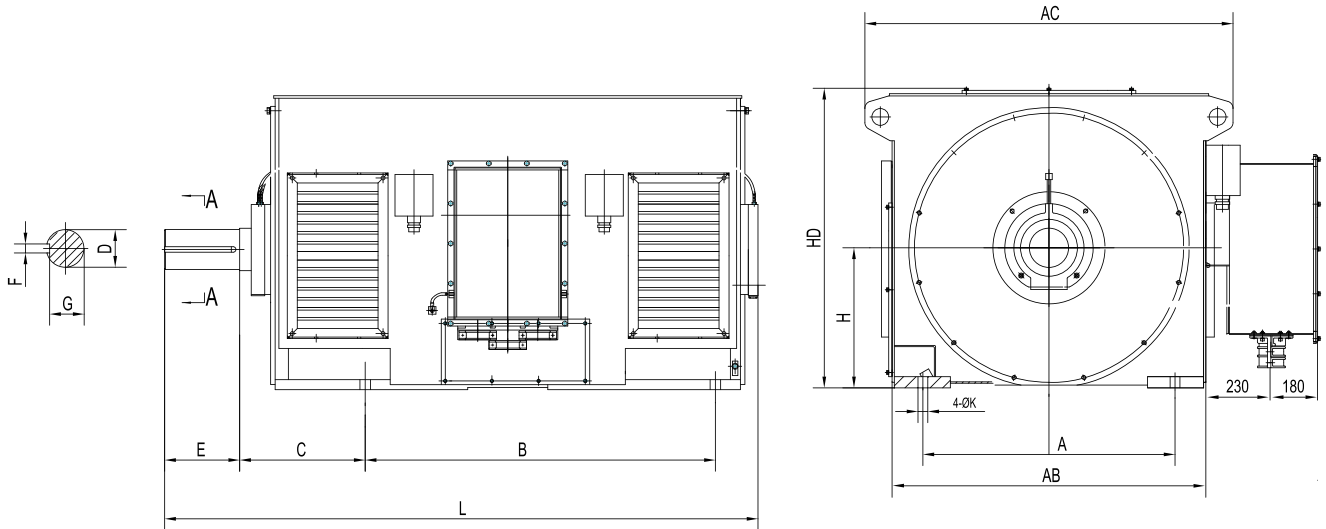
Installation method: B3

Ambient temperature: -15°C ~+40°C

Cooling method: IC01



Y 系列高压三相异步电动机 (6kV)



机座号	极数	A	B	C	D	E	F	G	H	K	AB	AC	HD	L
355	2	630	900	315	80	170	22	71	355	28	800	994	860	1720
355	4-6	630	900	315	100	210	28	90	355	28	800	994	860	1760
400	2	710	1000	375	90	170	25	81	400	35	900	1094	880	1900
400	4-8	710	1000	335	110	210	28	100	400	35	900	1094	880	1900
450	2	800	1120	400	100	210	28	90	450	35	980	1174	980	2080
450	4	800	1120	355	120	210	32	109	450	35	980	1174	980	2030
450	6-12	800	1120	355	130	250	32	119	450	35	980	1174	980	2070
500	2	900	1250	560	110	210	28	100	500	42	1120	1314	1670	2300
500	4	900	1250	475	130	250	32	119	500	42	1120	1314	1080	2230
500	6-12	900	1250	475	140	250	36	128	500	42	1120	1314	1080	2230
560	2	1000	1400	560	130	250	32	119	560	42	1220	1410	1850	2520
560	4	1000	1400	500	150	250	36	138	560	42	1220	1410	1210	2350
560	6-12	1000	1400	500	160	300	40	147	560	42	1220	1410	1210	2400
630	2	1120	1600	560	140	250	36	128	630	48	1360	1620	2040	2700
630	4	1120	1600	530	170	300	40	157	630	48	1360	1620	1330	2620
630	6-12	1120	1600	530	180	300	45	165	630	48	1360	1620	1330	2620
710	2	1400	1800	530	160	300	40	147	710	56	1600	1860	2310	3150
710	4-16	1400	1800	530	200	350	45	185	710	56	1600	1860	1530	3900



6kV 性能参数

6KV PERFORMANCE PARAMETERS

型号	额定功率 kW	额定转速 r/min	额定电流 A	效率 %	功率因数 cos φ	堵转转矩 额定转矩	堵转电流 额定电流	最大转矩 额定转矩	重量 kg
Y3551-2	220	2980	26.5	92.8	0.86	0.6	7.0	1.8	1580
Y3552-2	250	2980	30.1	92.9	0.86	0.6	7.0	1.8	1620
Y3553-2	280	2980	33.7	93.1	0.86	0.6	7.0	1.8	1650
Y3554-2	315	2980	37.7	93.4	0.86	0.6	7.0	1.8	1700
Y3555-2	355	2980	42.4	93.7	0.86	0.6	7.0	1.8	1750
Y3556-2	400	2980	47.6	94.1	0.86	0.6	7.0	1.8	1800
Y4001-2	450	2980	53.3	94.4	0.86	0.6	7.0	1.8	2230
Y4002-2	500	2980	58.5	94.6	0.87	0.6	7.0	1.8	2280
Y4003-2	560	2980	65.4	94.7	0.87	0.6	7.0	1.8	2340
Y4004-2	630	2980	73.4	94.9	0.87	0.6	7.0	1.8	2390
Y4501-2	710	2980	82.7	95.0	0.87	0.6	7.0	1.8	3167
Y4502-2	800	2980	92.9	95.2	0.87	0.6	7.0	1.8	3332
Y4503-2	900	2980	105	95.3	0.87	0.6	7.0	1.8	3480
Y4504-2	1000	2980	115	95.4	0.88	0.6	7.0	1.8	3588
Y5001-2	1120	2980	128	95.5	0.88	0.6	7.0	1.8	4100
Y5002-2	1250	2980	143	95.6	0.88	0.6	7.0	1.8	4200
Y5003-2	1400	2980	160	95.7	0.88	0.6	7.0	1.8	4340
Y5004-2	1600	2980	183	95.8	0.88	0.6	7.0	1.8	4450
Y5601-2	1800	2980	205	95.9	0.88	0.6	7.0	1.8	6320
Y5602-2	2000	2980	228	96.0	0.88	0.6	7.0	1.8	6480
Y5603-2	2240	2980	255	96.1	0.88	0.6	7.0	1.8	6560
Y6301-2	2500	2980	281	96.2	0.89	0.6	7.0	1.8	8560
Y6302-2	2800	2980	314	96.3	0.89	0.6	7.0	1.8	8670
Y6303-2	3150	2980	354	96.3	0.89	0.6	7.0	1.8	8840
Y7101-2	3550	2980	399	96.3	0.89	0.6	7.0	1.8	11800
Y7102-2	4000	2980	449	96.4	0.89	0.6	7.0	1.8	12400
Y7103-2	4500	2980	504	96.5	0.89	0.6	7.0	1.8	12700
Y7104-2	5000	2980	560	96.6	0.89	0.6	7.0	1.8	12900
Y3553-4	220	1480	26.7	93.3	0.85	0.8	6.5	1.8	1690
Y3554-4	250	1480	30.3	93.4	0.85	0.8	6.5	1.8	1720
Y3555-4	280	1480	33.5	93.5	0.86	0.8	6.5	1.8	1810
Y3556-4	315	1480	37.7	93.6	0.86	0.8	6.5	1.8	1860
Y4001-4	355	1485	42.3	93.8	0.86	0.8	6.5	1.8	2238
Y4002-4	400	1485	47.6	94.0	0.86	0.8	6.5	1.8	2363
Y4003-4	450	1485	53.5	94.2	0.86	0.8	6.5	1.8	2429
Y4004-4	500	1485	58.6	94.3	0.87	0.8	6.5	1.8	2499
Y4005-4	560	1485	65.5	94.5	0.87	0.8	6.5	1.8	2621
Y4501-4	630	1490	73.5	94.8	0.87	0.8	6.5	1.8	3143
Y4502-4	710	1490	82.7	95.0	0.87	0.8	6.5	1.8	3290
Y4503-4	800	1490	93.0	95.1	0.87	0.8	6.5	1.8	3449
Y4504-4	900	1490	105	95.2	0.87	0.8	6.5	1.8	3593
Y5001-4	1000	1490	116	95.3	0.87	0.7	6.5	1.8	4450
Y5002-4	1120	1490	128	95.4	0.88	0.7	6.5	1.8	4500
Y5003-4	1250	1490	143	95.5	0.88	0.7	6.5	1.8	4700
Y5004-4	1400	1490	160	95.6	0.88	0.7	6.5	1.8	4960
Y5601-4	1600	1490	181	95.7	0.89	0.6	6.5	1.8	6350
Y5602-4	1800	1490	203	95.8	0.89	0.6	6.5	1.8	6580



6kV 性能参数

6KV PERFORMANCE PARAMETERS

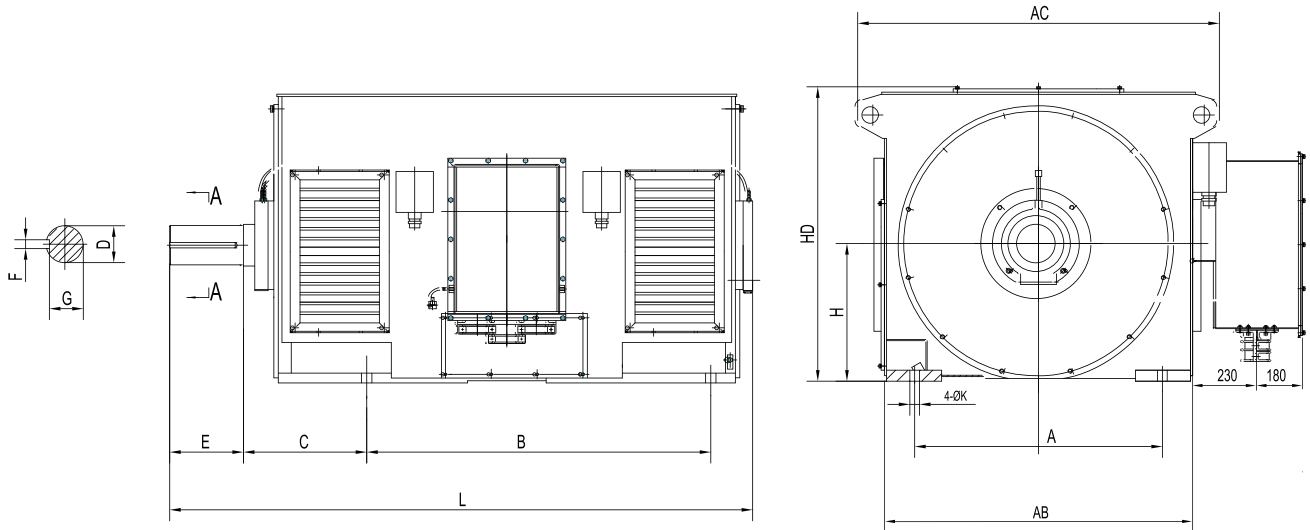
型号	额定功率 kW	额定转速 r/min	额定电流 A	效率 %	功率因数 cos φ	堵转转矩 额定转矩	堵转电流 额定电流	最大转矩 额定转矩	重量 kg
Y5603-4	2000	1490	226	95.9	0.89	0.6	6.5	1.8	6750
Y6301-4	2240	1490	252	96.0	0.89	0.6	6.5	1.8	8760
Y6302-4	2500	1490	281	96.1	0.89	0.6	6.5	1.8	9170
Y6303-4	2800	1490	315	96.2	0.89	0.6	6.5	1.8	9390
Y7101-4	3150	1490	362	96.3	0.87	0.5	6.5	1.8	12600
Y7102-4	3550	1490	408	96.3	0.87	0.5	6.5	1.8	12900
Y7103-4	4000	1490	459	96.4	0.87	0.5	6.5	1.8	13200
Y7104-4	4500	1490	516	96.4	0.87	0.5	6.5	1.8	13600
Y3555-6	220	990	27.8	93.0	0.82	0.8	6.0	1.8	1917
Y3556-6	250	990	31.4	93.3	0.82	0.8	6.0	1.8	1971
Y4002-6	280	990	34.7	93.5	0.83	0.8	6.0	1.8	2129
Y4003-6	315	990	39.0	93.7	0.83	0.8	6.0	1.8	2166
Y4004-6	355	990	43.8	93.9	0.83	0.8	6.0	1.8	2312
Y4005-6	400	990	49.3	94.0	0.83	0.8	6.0	1.8	2356
Y4501-6	450	990	54.7	94.3	0.84	0.8	6.0	1.8	3000
Y4502-6	500	990	59.9	94.5	0.85	0.8	6.0	1.8	3200
Y4503-6	560	990	66.9	94.7	0.85	0.8	6.0	1.8	3400
Y4504-6	630	990	75.2	94.8	0.85	0.8	6.0	1.8	3600
Y5001-6	710	990	84.6	95.0	0.85	0.7	6.0	1.8	4470
Y5002-6	800	990	95.2	95.1	0.85	0.7	6.0	1.8	4560
Y5003-6	900	990	107	95.2	0.85	0.7	6.0	1.8	4760
Y5004-6	1000	990	119	95.3	0.85	0.7	6.0	1.8	4980
Y5601-6	1120	990	131	95.4	0.86	0.7	6.5	1.8	6100
Y5602-6	1250	990	147	95.5	0.86	0.7	6.5	1.8	6400
Y5603-6	1400	990	164	95.6	0.86	0.7	6.0	1.8	6530
Y6301-6	1600	990	187	95.7	0.86	0.7	6.5	1.8	8490
Y6302-6	1800	990	210	95.8	0.86	0.7	6.5	1.8	8930
Y6303-6	2000	990	233	95.9	0.86	0.7	6.5	1.8	9140
Y7101-6	2240	990	261	96.0	0.86	0.6	6.5	1.8	13400
Y7102-6	2500	990	291	96.1	0.86	0.6	6.5	1.8	13700
Y7103-6	2800	990	326	96.1	0.86	0.6	6.5	1.8	14000
Y7104-6	3150	990	366	96.2	0.86	0.6	6.5	1.8	14200
Y4003-8	220	740	29.2	92.9	0.78	0.8	5.5	1.8	2148
Y4004-8	250	740	32.7	93.0	0.79	0.8	5.5	1.8	2284
Y4005-8	280	740	36.6	93.2	0.79	0.8	5.5	1.8	2320
Y4501-8	315	740	40.6	93.4	0.80	0.8	5.5	1.8	3013
Y4502-8	355	740	45.7	93.5	0.80	0.8	5.5	1.8	3093
Y4503-8	400	740	51.3	93.7	0.80	0.8	5.5	1.8	3220
Y4504-8	450	740	57.0	93.8	0.81	0.8	5.5	1.8	3346
Y5001-8	500	740	63.0	94.3	0.81	0.8	5.5	1.8	4300
Y5002-8	560	740	69.6	94.4	0.82	0.8	5.5	1.8	4430
Y5003-8	630	740	78.2	94.5	0.82	0.8	5.5	1.8	4570
Y5004-8	710	740	88.1	94.6	0.82	0.8	5.5	1.8	4720
Y5601-8	800	740	96.8	94.7	0.84	0.7	6.0	1.8	5910
Y5602-8	900	740	109	94.8	0.84	0.7	6.0	1.8	6100
Y5603-8	1000	740	121	94.9	0.84	0.7	6.0	1.8	6390
Y6301-8	1120	740	135	95.0	0.84	0.7	6.0	1.8	8230



型号	额定功率 kW	额定转速 r/min	额定电流 A	效率 %	功率因数 cos φ	堵转转矩 额定转矩	堵转电流 额定电流	最大转矩 额定转矩	重量 kg
Y6302-8	1250	740	151	95.1	0.84	0.7	6.0	1.8	8490
Y6303-8	1400	740	169	95.2	0.84	0.7	6.0	1.8	8820
Y6304-8	1600	740	192	95.3	0.84	0.7	6.0	1.8	9020
Y7101-8	1800	740	214	95.4	0.85	0.6	6.5	1.8	13800
Y7102-8	2000	740	237	95.5	0.85	0.6	6.5	1.8	14100
Y7103-8	2240	740	265	95.6	0.85	0.6	6.5	1.8	14500
Y4501-10	220	590	29.9	92.1	0.77	0.8	5.5	1.8	2862
Y4502-10	250	590	33.4	92.3	0.78	0.8	5.5	1.8	2931
Y4503-10	280	590	37.3	92.5	0.78	0.8	5.5	1.8	2985
Y4504-10	315	590	41.4	92.6	0.79	0.8	5.5	1.8	3061
Y4505-10	355	590	46.6	92.8	0.79	0.8	5.5	1.8	3190
Y5001-10	400	590	51.6	93.3	0.80	0.8	5.5	1.8	4000
Y5002-10	450	590	58.0	93.4	0.80	0.8	5.5	1.8	4250
Y5003-10	500	590	64.3	93.6	0.80	0.8	5.5	1.8	4437
Y5004-10	560	590	71.9	93.7	0.80	0.8	5.5	1.8	4800
Y5005-10	630	590	80.8	93.8	0.80	0.8	5.5	1.8	5200
Y5601-10	710	590	88.6	94.0	0.82	0.7	6.0	1.8	5840
Y5602-10	800	590	100	94.2	0.82	0.7	6.0	1.8	6010
Y5603-10	900	590	112	92.3	0.82	0.7	6.0	1.8	6170
Y6301-10	1000	590	126	93.4	0.82	0.7	6.0	1.8	7830
Y6302-10	1120	590	139	94.6	0.82	0.7	6.0	1.8	8120
Y6303-10	1250	590	155	94.8	0.82	0.7	6.0	1.8	8430
Y6304-10	1400	590	173	94.9	0.82	0.7	6.0	1.8	8630
Y7101-10	1600	590	195	95.0	0.83	0.6	6.0	1.8	14300
Y7102-10	1800	590	219	95.1	0.83	0.6	6.0	1.8	14500
Y7103-10	2000	590	244	95.2	0.83	0.6	6.0	1.8	14700
Y4504-12	220	490	31.7	91.4	0.73	0.8	5.5	1.8	3280
Y4505-12	250	490	35.9	91.7	0.73	0.8	5.5	1.8	3390
Y5001-12	280	490	39.3	92.7	0.74	0.8	5.5	1.8	3500
Y5002-12	315	490	43.6	92.8	0.75	0.8	5.5	1.8	3990
Y5003-12	355	490	49.0	93.0	0.75	0.8	5.5	1.8	4303
Y5004-12	400	490	55.0	93.3	0.75	0.8	5.5	1.8	4180
Y5005-12	450	490	61.8	93.4	0.75	0.8	5.5	1.8	4340
Y5601-12	500	490	65.0	93.7	0.79	0.7	6.0	1.8	5660
Y5602-12	560	490	72.7	93.8	0.79	0.7	6.0	1.8	5850
Y5603-12	630	490	81.7	93.9	0.79	0.7	6.0	1.8	6050
Y6301-12	710	490	92.0	94.0	0.79	0.7	6.0	1.8	7620
Y6302-12	800	490	103	94.2	0.79	0.7	6.0	1.8	7910
Y6303-12	900	490	116	94.3	0.79	0.7	6.0	1.8	8220
Y6304-12	1000	490	129	94.4	0.79	0.7	6.0	1.8	8410
Y7101-12	1120	490	144	94.5	0.79	0.6	6.0	1.8	14100
Y7102-12	1250	490	161	94.6	0.79	0.6	6.0	1.8	14400
Y7103-12	1400	490	181	94.7	0.79	0.6	6.0	1.8	14600
Y7101-16	630	370	89.2	93.1	0.73	0.6	6.0	1.8	14700
Y7102-16	710	370	100	93.3	0.73	0.6	6.0	1.8	14900
Y7103-16	800	370	113	93.4	0.73	0.6	6.0	1.8	15200
Y7104-16	900	370	127	93.5	0.73	0.6	6.0	1.8	15400



Y 系列高压三相异步电动机 (10kV)



机座号	极数	A	B	C	D	E	F	G	H	K	AB	AC	HD	L
450	2	800	1120	400	90	170	25	81	450	35	980	1174	980	2040
450	4	800	1120	355	110	210	28	100	450	35	980	1174	980	2040
450	6	800	1120	355	110	210	28	100	450	35	980	1174	980	2040
500	2	900	1250	560	100	210	28	90	500	42	1120	1314	1670	2300
500	4	900	1250	475	120	210	32	109	500	42	1120	1314	1080	2200
500	6-12	900	1250	475	130	250	32	119	500	42	1120	1314	1080	2230
560	2	1000	1400	560	130	250	32	119	560	42	1220	1410	1850	2520
560	4	1000	1400	500	150	250	36	138	560	42	1220	1410	1210	2350
560	6-12	1000	1400	500	160	300	40	147	560	42	1220	1410	1210	2400
630	2	1120	1600	560	140	250	36	128	630	48	1360	1620	2040	2700
630	4	1120	1600	530	170	300	40	157	630	48	1360	1620	1330	2620
630	6-12	1120	1600	530	180	300	45	165	630	48	1360	1620	1330	2620
710	2	1400	1600	530	160	300	40	147	710	56	1600	1860	2310	3150
710	4-16	1400	1800	530	200	350	45	185	710	56	1600	1860	1530	3100

**10kV 性能参数**

10kV PERFORMANCE PARAMETERS

型号	额定功率 kW	额定转速 r/min	额定电流 A	效率 %	功率因数 cos φ	堵转转矩 额定转矩	堵转电流 额定电流	最大转矩 额定转矩	重量 kg
Y450-2	250	2980	18.3	92.9	0.85	0.6	7.0	1.8	2612
Y450-2	280	2980	20.4	93.2	0.85	0.6	7.0	1.8	2640
Y450-2	315	2980	22.6	93.5	0.86	0.6	7.0	1.8	2738
Y4501-2	355	2980	25.1	93.8	0.87	0.6	7.0	1.8	2793
Y4502-2	400	2980	28.2	94.1	0.87	0.6	7.0	1.8	2878
Y4503-2	450	2980	31.7	94.3	0.87	0.6	7.0	1.8	2937
Y4504-2	500	2980	35.2	94.4	0.87	0.6	7.0	1.8	3021
Y4505-2	560	2980	39.3	94.5	0.87	0.6	7.0	1.8	3174
Y4506-2	630	2980	44.2	94.6	0.87	0.6	7.0	1.8	3229
Y5001-2	710	2980	49.2	94.7	0.88	0.6	7.0	1.8	3656
Y5002-2	800	2980	55.4	94.8	0.88	0.6	7.0	1.8	3752
Y5003-2	900	2980	62.2	94.9	0.88	0.6	7.0	1.8	3874
Y5004-2	1000	2980	69.1	95.0	0.88	0.6	7.0	1.8	4071
Y5005-2	1120	2980	77.2	95.2	0.88	0.6	7.0	1.8	4158
Y5601-2	1250	2980	85.0	95.4	0.89	0.6	7.0	1.8	6300
Y5602-2	1400	2980	95.1	95.5	0.89	0.6	7.0	1.8	6390
Y5603-2	1600	2980	109	95.6	0.89	0.6	7.0	1.8	6460
Y6301-2	1800	2980	121	95.7	0.90	0.6	7.0	1.8	9300
Y6302-2	2000	2980	134	95.8	0.90	0.6	7.0	1.8	9360
Y6303-2	2240	2980	150	96.0	0.90	0.6	7.0	1.8	9450
Y7101-2	2500	2980	169	95.9	0.89	0.6	7.0	1.8	11800
Y7102-2	2800	2980	189	96.0	0.89	0.6	7.0	1.8	12400
Y7103-2	3150	2980	213	96.1	0.89	0.6	7.0	1.8	11340
Y7104-2	3550	2980	240	96.2	0.89	0.6	7.0	1.8	11500
Y450-4	220	1490	16.7	92.6	0.82	0.7	7.0	1.8	2433
Y450-4	250	1490	18.8	92.7	0.83	0.7	7.0	1.8	2433
Y450-4	280	1490	20.7	92.8	0.84	0.7	7.0	1.8	2433
Y450-4	315	1490	23.3	93.0	0.84	0.7	7.0	1.8	2498
Y4501-4	355	1490	25.5	93.3	0.86	0.7	7.0	1.8	2581
Y4502-4	400	1490	28.7	93.5	0.86	0.7	7.0	1.8	2636
Y4503-4	450	1490	32.2	93.9	0.86	0.7	7.0	1.8	2720
Y4504-4	500	1490	35.7	94.0	0.86	0.7	7.0	1.8	2848
Y4505-4	560	1490	39.9	94.2	0.86	0.7	7.0	1.8	2954
Y4506-4	630	1490	44.8	94.4	0.86	0.7	7.0	1.8	3093
Y5001-4	710	1490	49.6	95.0	0.87	0.7	7.0	1.8	3945
Y5002-4	800	1490	55.8	95.1	0.87	0.7	7.0	1.8	4042
Y5003-4	900	1490	62.0	95.2	0.88	0.7	7.0	1.8	4139
Y5004-4	1000	1490	68.8	95.3	0.88	0.7	7.0	1.8	4328
Y5005-4	1120	1490	77.0	95.4	0.88	0.7	7.0	1.8	4517
Y5601-4	1250	1490	84.9	95.5	0.89	0.7	7.0	1.8	5676
Y5602-4	1400	1490	94.9	95.7	0.89	0.7	7.0	1.8	6032
Y5603-4	1600	1490	108	95.8	0.89	0.7	7.0	1.8	6216
Y6301-4	1800	1490	122	95.9	0.89	0.6	7.0	1.8	9250
Y6302-4	2000	1490	135	96.0	0.89	0.6	7.0	1.8	9700
Y6303-4	2240	1490	151	96.1	0.89	0.6	7.0	1.8	10600
Y7101-4	2500	1490	178	95.8	0.86	0.5	6.5	1.8	11600
Y7102-4	2800	1490	196	95.9	0.86	0.5	6.5	1.8	11750
Y7103-4	3150	1490	220	96.0	0.86	0.5	6.5	1.8	12100
Y7104-4	3550	1490	248	96.1	0.86	0.5	6.5	1.8	12400
Y4503-6	315	990	23.9	92.8	0.82	0.7	6.0	1.8	2831
Y4504-6	355	990	26.5	93.1	0.83	0.7	6.0	1.8	2894
Y4505-6	400	990	29.8	93.3	0.83	0.7	6.0	1.8	2976
Y4506-6	450	990	33.5	93.5	0.83	0.7	6.0	1.8	3042
Y5001-6	500	990	37.0	93.9	0.83	0.7	6.0	1.8	3765
Y5002-6	560	990	40.9	94.1	0.84	0.7	6.0	1.8	3847
Y5003-6	630	990	45.9	94.4	0.84	0.7	6.0	1.8	4022
Y5004-6	710	990	51.6	94.6	0.84	0.7	6.0	1.8	4199
Y5005-6	800	990	58.1	94.7	0.84	0.7	6.0	1.8	4387



10kV 性能参数

10KV PERFORMANCE PARAMETERS

型号	额定功率 kW	额定转速 r/min	额定电流 A	效率 %	功率因数 cos φ	堵转转矩 额定转矩	堵转电流 额定电流	最大转矩 额定转矩	重量 kg
Y5601-6	900	990	64.4	94.9	0.85	0.7	6.0	1.8	6085
Y5602-6	1000	990	71.4	95.1	0.85	0.7	6.0	1.8	6415
Y5603-6	1120	990	79.8	95.3	0.85	0.7	6.0	1.8	6670
Y5604-6	1250	990	88.0	95.4	0.86	0.7	6.0	1.8	6920
Y6301-6	1400	990	98.2	95.7	0.86	0.6	6.0	1.8	9300
Y6302-6	1600	990	112	95.8	0.86	0.6	6.0	1.8	9700
Y6303-6	1800	990	126	95.9	0.86	0.6	6.0	1.8	10500
Y7101-6	2000	990	144	95.5	0.84	0.6	6.5	1.8	12800
Y7102-6	2240	990	161	95.6	0.84	0.6	6.5	1.8	13100
Y7103-6	2500	990	180	95.7	0.84	0.6	6.5	1.8	13400
Y5001-8	315	740	25.5	92.8	0.77	0.7	6.0	1.8	3817
Y5002-8	355	740	28.6	93.1	0.77	0.7	6.0	1.8	3913
Y5003-8	400	740	31.8	93.2	0.78	0.7	6.0	1.8	3998
Y5004-8	450	740	35.7	93.4	0.78	0.7	6.0	1.8	4163
Y5005-8	500	740	39.0	93.8	0.79	0.7	6.0	1.8	4328
Y5006-8	560	740	43.6	93.9	0.79	0.7	6.0	1.8	4499
Y5601-8	630	740	47.0	94.4	0.82	0.7	6.0	1.8	6325
Y5602-8	710	740	52.8	94.6	0.82	0.7	6.0	1.8	5720
Y5603-8	800	740	59.5	94.7	0.82	0.7	6.0	1.8	6620
Y5604-8	900	740	66.8	94.8	0.82	0.7	6.0	1.8	6760
Y6301-8	1000	740	73.2	95.0	0.83	0.7	6.0	1.8	9620
Y6302-8	1120	740	81.8	95.2	0.83	0.7	6.0	1.8	10200
Y6303-8	1250	740	91.2	95.3	0.83	0.7	6.0	1.8	10570
Y7101-8	1400	740	104	94.9	0.82	0.6	6.5	1.8	12800
Y7102-8	1600	740	119	95.0	0.82	0.6	6.5	1.8	13200
Y7103-8	1800	740	133	95.1	0.82	0.6	6.5	1.8	13600
Y5003-10	280	590	23.6	92.4	0.74	0.7	5.5	1.8	4720
Y5004-10	315	590	26.5	92.6	0.74	0.7	5.5	1.8	4840
Y5005-10	355	590	29.4	92.8	0.75	0.7	5.5	1.8	4970
Y5006-10	400	590	33.1	93.0	0.75	0.7	5.5	1.8	5090
Y5601-10	450	590	36.2	93.2	0.77	0.7	6.0	1.8	6160
Y5602-10	500	590	40.1	93.4	0.77	0.7	6.0	1.8	6360
Y5603-10	560	590	44.3	93.5	0.78	0.7	6.0	1.8	6570
Y5604-10	630	590	49.8	93.7	0.78	0.7	6.0	1.8	6780
Y5605-10	710	590	56.0	93.9	0.78	0.7	6.0	1.8	6990
Y6301-10	800	590	61.2	94.3	0.80	0.7	6.0	1.8	9620
Y6302-10	900	590	68.7	94.5	0.80	0.7	6.0	1.8	10200
Y6303-10	1000	590	76.3	94.6	0.80	0.7	6.0	1.8	10570
Y6304-10	1120	590	85.4	94.7	0.80	0.7	6.0	1.8	10930
Y7101-10	1250	590	95.4	94.6	0.80	0.6	6.0	1.8	13400
Y7102-10	1400	590	107	94.7	0.80	0.6	6.0	1.8	13800
Y7103-10	1600	590	122	94.8	0.80	0.6	6.0	1.8	14100
Y5601-12	315	495	27.0	92.3	0.73	0.7	6.0	1.8	6060
Y5602-12	355	495	30.4	92.5	0.73	0.7	6.0	1.8	6255
Y5603-12	400	495	34.1	92.7	0.73	0.7	6.0	1.8	6450
Y5604-12	450	495	38.3	92.9	0.73	0.7	6.0	1.8	6640
Y5605-12	500	495	42.4	93.2	0.73	0.7	6.0	1.8	6830
Y6301-12	560	495	46.7	93.5	0.74	0.7	6.0	1.8	9600
Y6302-12	630	495	52.5	93.7	0.74	0.7	6.0	1.8	10050
Y6303-12	710	495	59.0	93.9	0.74	0.7	6.0	1.8	10450
Y6304-12	800	495	66.2	94.3	0.74	0.7	6.0	1.8	10600
Y7101-12	900	495	71.9	93.9	0.77	0.6	6.0	1.8	14000
Y7102-12	1000	495	79.8	94.0	0.77	0.6	6.0	1.8	14350
Y7103-12	1120	495	89.2	94.1	0.77	0.6	6.0	1.8	14550
Y7101-16	450	370	35.3	94.4	0.78	0.6	6.0	1.8	14400
Y7102-16	500	370	39.2	94.5	0.78	0.6	6.0	1.8	14700
Y7103-16	560	370	43.8	94.6	0.78	0.6	6.0	1.8	14900
Y7104-16	630	370	49.2	94.7	0.78	0.6	6.0	1.8	15100