



Y、YX 系列（6KV IP23）高压三相异步电动机技术数据 Technical Data（6KV IP23）

型号 Type	额定功率 Rated Output (kW)	额定转速 Rated Speed (r/min)	额定电流 Rated Current (A)		效率 (%) Efficiency		功率因 数 Power Factor (cosφ)	堵转电流 额定电流 <u>Locked</u> current Rated current	堵转转距 额定转距 Locked torque Rated torque	最大转距 额定转距 <u>Max. Torque</u> Rated torque	重量 Weight (kg)
			Y	YX	Y	YX					
			Y3551-2	220	2980	26.8					
Y3552-2	250	2980	30.4	29.9	92.1	93.4	0.86	7	0.6	1.8	1950
Y3553-2	280	2980	33.9	33.5	92.3	93.6	0.86	7	0.6	1.8	2000
Y3554-2	315	2980	38.0	37.5	92.7	93.9	0.86	7	0.6	1.8	2050
Y3555-2	355	2980	42.7	42.2	93.0	94.1	0.86	7	0.6	1.8	2090
Y3556-2	400	2980	47.9	47.4	93.4	94.5	0.86	7	0.6	1.8	2120
Y4001-2	450	2980	53.7	53.2	93.7	94.7	0.86	7	0.6	1.8	2320
Y4002-2	500	2980	58.8	58.2	94.0	95.0	0.87	7	0.6	1.8	2380
Y4003-2	560	2980	65.8	65.1	94.1	95.1	0.87	7	0.6	1.8	2450
Y4004-2	630	2980	73.9	73.2	94.3	95.2	0.87	7	0.6	1.8	2540
Y4005-2	710	2980	83.2	82.4	94.4	95.3	0.87	7	0.6	1.8	2600
Y4501-2	800	2980	93.4	92.6	94.7	95.6	0.87	7	0.6	1.8	3550
Y4502-2	900	2980	105.0	104.0	94.8	95.7	0.87	7	0.6	1.8	3620
Y4503-2	1000	2980	115.2	114.1	94.9	95.8	0.88	7	0.6	1.8	3680
Y4504-2	1120	2980	128.9	127.7	95.0	95.9	0.88	7	0.6	1.8	3750
Y5002-2	1250	2980	143.6	142.2	95.2	96.1	0.88	7	0.6	1.8	4820
Y5003-2	1400	2980	160.6	159.1	95.3	96.2	0.88	7	0.6	1.8	4980
Y5004-2	1600	2980	183.4	181.7	95.4	96.3	0.88	7	0.6	1.8	5140
Y5005-2	1800	2980	206.1	204.4	95.5	96.3	0.88	7	0.6	1.8	5300
Y5601-2	2000	2980	228.5	226.6	95.7	96.5	0.88	7	0.6	1.8	6500
Y5602-2	2100	2980	240.0	238.0	95.7	96.5	0.88	7	0.6	1.8	6570
Y5603-2	2240	2980	255.7	253.6	95.8	96.6	0.88	7	0.6	1.8	6680

SUNVIM

Y5604-2	2350	2980	268.2	266.0	95.8	96.6	0.88	7	0.6	1.8	6750
Y5605-2	2500	2980	281.9	279.8	95.9	96.6	0.89	7	0.6	1.8	6820
Y6301-2	2650	2980	298.8	296.3	95.9	96.7	0.89	7	0.6	1.8	7950
Y6302-2	2800	2980	315.4	313.1	96.0	96.7	0.89	7	0.6	1.8	8300
Y6303-2	2900	2980	326.6	324.3	96.0	96.7	0.89	7	0.6	1.8	8500
Y6304-2	3150	2980	354.4	351.8	96.1	96.8	0.89	7	0.6	1.8	8700
Y6305-2	3350	2980	376.9	374.2	96.1	96.8	0.89	7	0.6	1.8	9000
Y6306-2	3550	2980	399.4	396.5	96.1	96.8	0.89	7	0.6	1.8	9350
Y3551-4	220	1480	26.9	26.6	92.5	93.7	0.85	6.5	0.8	1.8	1500
Y3552-4	250	1480	30.6	30.2	92.6	93.8	0.85	6.5	0.8	1.8	1550
Y3553-4	280	1480	33.8	33.4	92.7	93.9	0.86	6.5	0.8	1.8	1620
Y3554-4	315	1480	37.9	37.5	92.9	94.1	0.86	6.5	0.8	1.8	1670
Y3555-4	355	1480	42.7	42.1	93.1	94.3	0.86	6.5	0.8	1.8	1750
Y3556-4	400	1480	48.0	47.4	93.3	94.4	0.86	6.5	0.8	1.8	1850
Y4001-4	450	1480	53.9	53.2	93.5	94.6	0.86	6.5	0.8	1.8	2350
Y4002-4	500	1480	59.0	58.3	93.7	94.8	0.87	6.5	0.8	1.8	2450
Y4003-4	560	1480	66.0	65.2	93.9	95.0	0.87	6.5	0.8	1.8	2580
Y4004-4	630	1480	74.0	73.2	94.2	95.2	0.87	6.5	0.8	1.8	2660
Y4005-4	710	1480	83.2	82.3	94.4	95.4	0.87	6.5	0.8	1.8	2780
Y4501-4	800	1480	93.5	92.7	94.6	95.5	0.87	6.5	0.8	1.8	3350
Y4502-4	900	1480	105.1	104.1	94.7	95.6	0.87	6.5	0.8	1.8	3470
Y4503-4	1000	1480	116.7	115.6	94.8	95.7	0.87	6.5	0.8	1.8	3620
Y4504-4	1120	1480	129.1	127.8	94.9	95.8	0.88	6.5	0.8	1.8	3750
Y5002-4	1250	1480	143.7	142.4	95.1	96.0	0.88	6.5	0.7	1.8	4550
Y5003-4	1400	1480	160.8	159.5	95.2	96.0	0.88	6.5	0.7	1.8	4680
Y5004-4	1600	1480	181.5	180.0	95.3	96.1	0.89	6.5	0.7	1.8	4820
Y5005-4	1800	1480	204.0	202.3	95.4	96.2	0.89	6.5	0.7	1.8	4980
Y5601-4	2000	1480	226.2	224.3	95.6	96.4	0.89	6.5	0.6	1.8	6560
Y5602-4	2100	1480	237.5	235.5	95.6	96.4	0.89	6.5	0.6	1.8	6610
Y5603-4	2240	1480	253.1	251.0	95.7	96.5	0.89	6.5	0.6	1.8	6680

SUNVIM

Y5604-4	2350	1480	265.5	263.3	95.7	96.5	0.89	6.5	0.6	1.8	6750
Y5605-4	2500	1480	282.2	279.8	95.8	96.6	0.89	6.5	0.6	1.8	6850
Y6301-4	2650	1480	299.1	296.6	95.8	96.6	0.89	6.5	0.6	1.8	8900
Y6302-4	2800	1480	315.7	313.4	95.9	96.6	0.89	6.5	0.6	1.8	9150
Y6303-4	2900	1480	326.6	324.3	96.0	96.7	0.89	6.5	0.6	1.8	9300
Y6304-4	3150	1480	354.4	351.8	96.1	96.8	0.89	6.5	0.6	1.8	9450
Y6305-4	3350	1480	376.9	374.2	96.1	96.8	0.89	6.5	0.6	1.8	9600
Y6306-4	3550	1480	399.4	396.5	96.1	96.8	0.89	6.5	0.6	1.8	9750
Y3554-6	220	990	28.0	27.6	92.2	93.5	0.82	6	0.8	1.8	1600
Y3555-6	250	990	31.7	31.3	92.5	93.7	0.82	6	0.8	1.8	1680
Y3556-6	280	990	35.0	34.6	92.7	93.9	0.83	6	0.8	1.8	1780
Y4001-6	315	990	39.3	38.8	93.0	94.2	0.83	6	0.8	1.8	2300
Y4002-6	355	990	44.2	43.6	93.2	94.4	0.83	6	0.8	1.8	2380
Y4003-6	400	990	49.7	49.1	93.3	94.4	0.83	6	0.8	1.8	2450
Y4004-6	450	990	55.1	54.4	93.6	94.7	0.84	6	0.8	1.8	2560
Y4005-6	500	990	60.3	59.6	93.9	95.0	0.85	6	0.8	1.8	2650
Y4501-6	560	990	67.4	66.7	94.1	95.1	0.85	6	0.8	1.8	3220
Y4502-6	630	990	75.7	74.9	94.2	95.2	0.85	6	0.8	1.8	3380
Y4503-6	710	990	85.1	84.3	94.4	95.4	0.85	6	0.8	1.8	3550
Y4504-6	800	990	95.7	94.8	94.6	95.5	0.85	6	0.8	1.8	3700
Y5002-6	900	990	107.6	106.6	94.7	95.6	0.85	6	0.7	1.8	4550
Y5003-6	1000	990	119.4	118.3	94.8	95.7	0.85	6	0.7	1.8	4680
Y5004-6	1120	990	132.1	130.8	94.9	95.8	0.86	6	0.7	1.8	4820
Y5005-6	1250	990	147.1	145.7	95.1	96.0	0.86	6	0.7	1.8	4980
Y5603-6	1400	990	164.5	163.2	95.2	96.0	0.86	6.5	0.7	1.8	6200
Y5604-6	1600	990	187.9	186.3	95.3	96.1	0.86	6.5	0.7	1.8	6450
Y5605-6	1800	990	211.1	209.4	95.4	96.2	0.86	6.5	0.7	1.8	6700
Y6302-6	2000	990	234.1	232.1	95.6	96.4	0.86	6.5	0.7	1.8	8500
Y6303-6	2100	990	245.8	243.8	95.6	96.4	0.86	6.5	0.7	1.8	8700
Y6304-6	2240	990	261.9	260.0	95.7	96.4	0.86	6.5	0.7	1.8	8850

SUNVIM

Y6305-6	2350	990	274.8	272.8	95.7	96.4	0.86	6.5	0.7	1.8	9150
Y6306-6	2500	990	292.3	289.9	95.7	96.5	0.86	6.5	0.7	1.8	9300
Y4001-8	220	740	29.5	29.1	92.1	93.4	0.78	5.5	0.8	1.8	2250
Y4002-8	250	740	33.0	32.6	92.2	93.5	0.79	5.5	0.8	1.8	2360
Y4003-8	280	740	36.9	36.4	92.4	93.7	0.79	5.5	0.8	1.8	2480
Y4004-8	315	740	40.9	40.4	92.7	93.9	0.80	5.5	0.8	1.8	2620
Y4005-8	355	740	46.0	45.4	92.8	94.0	0.80	5.5	0.8	1.8	2750
Y4501-8	400	740	51.7	51.1	93.0	94.2	0.80	5.5	0.8	1.8	3320
Y4502-8	450	740	57.4	56.7	93.1	94.3	0.81	5.5	0.8	1.8	3420
Y4503-8	500	740	63.4	62.7	93.7	94.8	0.81	5.5	0.8	1.8	3580
Y4504-8	560	740	70.1	69.2	93.8	94.9	0.82	5.5	0.8	1.8	3750
Y5002-8	630	740	78.7	77.8	93.9	95.0	0.82	5.5	0.8	1.8	4360
Y5003-8	710	740	88.6	87.7	94.0	95.0	0.82	5.5	0.8	1.8	4500
Y5004-8	800	740	97.3	96.3	94.2	95.2	0.84	5.5	0.8	1.8	4650
Y5005-8	900	740	109.3	108.2	94.3	95.3	0.84	5.5	0.8	1.8	4820
Y5603-8	1000	740	121.4	120.1	94.4	95.4	0.84	6	0.7	1.8	6750
Y5604-8	1120	740	135.8	134.3	94.5	95.5	0.84	6	0.7	1.8	6970
Y5605-8	1250	740	151.2	149.8	94.7	95.6	0.84	6	0.7	1.8	7240
Y6303-8	1400	740	169.2	167.6	94.8	95.7	0.84	6	0.7	1.8	8250
Y6304-8	1600	740	193.1	191.3	94.9	95.8	0.84	6	0.7	1.8	8520
Y6305-8	1800	740	217.1	215.2	95.0	95.8	0.84	6	0.7	1.8	8860
Y6306-8	2000	740	240.7	238.7	95.2	96.0	0.84	6	0.7	1.8	9200
Y4003-10	220	590	30.1	29.6	91.3	92.8	0.77	5.5	0.8	1.8	2480
Y4004-10	250	590	33.7	33.2	91.5	92.9	0.78	5.5	0.8	1.8	2620
Y4005-10	280	590	37.7	37.1	91.7	93.1	0.78	5.5	0.8	1.8	2750
Y4501-10	315	590	41.8	41.1	91.9	93.3	0.79	5.5	0.8	1.8	3220
Y4502-10	355	590	47.0	46.2	92.1	93.5	0.79	5.5	0.8	1.8	3320
Y4503-10	400	590	52.0	51.2	92.6	93.9	0.80	5.5	0.8	1.8	3450
Y4504-10	450	590	58.4	57.6	92.7	93.9	0.80	5.5	0.8	1.8	3580
Y5001-10	500	590	64.7	63.8	93.0	94.2	0.80	5.5	0.8	1.8	4250

SUNVIM

Y5002-10	560	590	72.4	71.4	93.1	94.3	0.80	5.5	0.8	1.8	4400
Y5003-10	630	590	81.3	80.3	93.2	94.4	0.80	5.5	0.8	1.8	4600
Y5004-10	710	590	89.2	88.2	93.4	94.5	0.82	5.5	0.8	1.8	4750
Y5005-10	800	590	100.2	99.0	93.7	94.8	0.82	5.5	0.8	1.8	4920
Y5603-10	900	590	112.6	111.3	93.8	94.9	0.82	6	0.7	1.8	6250
Y5604-10	1000	590	125.0	123.5	93.9	95.0	0.82	6	0.7	1.8	6480
Y5605-10	1120	590	139.7	138.2	94.1	95.1	0.82	6	0.7	1.8	6750
Y6303-10	1250	590	155.4	153.8	94.4	95.4	0.82	6	0.7	1.8	8500
Y6304-10	1400	590	173.9	172.0	94.5	95.5	0.82	6	0.7	1.8	8750
Y6305-10	1600	590	198.5	196.6	94.6	95.5	0.82	6	0.7	1.8	9060
Y6306-10	1800	590	223.1	221.0	94.7	95.6	0.82	6	0.7	1.8	9380
Y4501-12	220	490	32.0	31.5	90.6	92.2	0.73	5.5	0.8	1.8	3220
Y4502-12	250	490	36.3	35.7	90.9	92.4	0.73	5.5	0.8	1.8	3320
Y4503-12	280	490	39.6	39.0	91.9	93.3	0.74	5.5	0.8	1.8	3450
Y4504-12	315	490	43.9	43.2	92.1	93.5	0.75	5.5	0.8	1.8	3580
Y5001-12	355	490	49.3	48.7	92.3	93.6	0.75	5.5	0.8	1.8	4350
Y5002-12	400	490	55.4	54.7	92.6	93.9	0.75	5.5	0.8	1.8	4520
Y5003-12	450	490	62.3	61.5	92.7	93.9	0.75	5.5	0.8	1.8	4650
Y5004-12	500	490	65.4	64.6	93.1	94.3	0.79	5.5	0.8	1.8	4820
Y5005-12	560	490	73.2	72.3	93.2	94.4	0.79	5.5	0.8	1.8	4930
Y5603-12	630	490	82.2	81.2	93.3	94.5	0.79	6	0.7	1.8	6120
Y5604-12	710	490	92.6	91.5	93.4	94.5	0.79	6	0.7	1.8	6280
Y5605-12	800	490	104.0	102.8	93.7	94.8	0.79	6	0.7	1.8	6550
Y6303-12	900	490	116.9	115.5	93.8	94.9	0.79	6	0.7	1.8	8750
Y6304-12	1000	490	129.7	128.2	93.9	95.0	0.79	6	0.7	1.8	8950
Y6305-12	1120	490	145.1	143.6	94.0	95.0	0.79	6	0.7	1.8	9170
Y6306-12	1250	490	161.6	159.9	94.2	95.2	0.79	6	0.7	1.8	9380



Y, YX 系列 (10KV IP23) 高压三相异步电动机技术数据 Technical Data (10KV IP23)

型号 Type	额定功率 Rated Output (kW)	额定转速 Rated Speed (r/min)	额定电流 Rated Current (A)		效率 (%) Efficiency		功率因数 Power Factor (cos φ)	堵转电流 额定电流 Locked current Rated current	堵转转矩 额定转矩 Locked torque Rated torque	最大转矩 额定转矩 Max. torque Rated torque	重量 Weight (kg)
			Y	YX	Y	YX					
Y4001-2	220	2980	16.1	15.8	91.9	93.4	0.86	7.0	0.6	1.8	2200
Y4002-2	250	2980	18.2	18.0	92.1	93.5	0.86	7.0	0.6	1.8	2220
Y4003-2	280	2980	20.4	20.1	92.3	93.7	0.86	7.0	0.6	1.8	2270
Y4004-2	315	2980	22.8	22.5	92.6	94.0	0.86	7.0	0.6	1.8	2340
Y4005-2	355	2980	25.3	25.0	93.1	94.3	0.87	7.0	0.6	1.8	2410
Y4006-2	400	2980	28.4	28.1	93.4	94.5	0.87	7.0	0.6	1.8	2490
Y4007-2	450	2980	31.9	31.5	93.6	94.7	0.87	7.0	0.6	1.8	2600
Y4502-2	500	2980	35.4	35.0	93.7	94.9	0.87	7.0	0.6	1.8	3600
Y4503-2	560	2980	39.6	39.1	93.9	95.0	0.87	7.0	0.6	1.8	3700
Y4504-2	630	2980	44.5	44.0	94.0	95.0	0.87	7.0	0.6	1.8	3770
Y4505-2	710	2980	49.5	49.0	94.1	95.1	0.88	7.0	0.6	1.8	3870
Y4506-2	800	2980	55.7	55.1	94.3	95.3	0.88	7.0	0.6	1.8	3950
Y5003-2	900	2980	62.6	61.9	94.4	95.4	0.88	7.0	0.6	1.8	5030
Y5004-2	1000	2980	69.4	68.7	94.5	95.5	0.88	7.0	0.6	1.8	5180
Y5005-2	1120	2980	77.6	76.9	94.7	95.6	0.88	7.0	0.6	1.8	5340
Y5006-2	1250	2980	85.4	84.6	94.9	95.9	0.89	7.0	0.6	1.8	5480
Y5007-2	1400	2980	95.5	94.6	95.1	96.0	0.89	7.0	0.6	1.8	5730
Y5604-2	1600	2980	109.0	108.1	95.2	96.0	0.89	7.0	0.6	1.8	6270
Y5605-2	1800	2980	121.2	120.2	95.3	96.1	0.90	7.0	0.6	1.8	6420
Y5606-2	2000	2980	134.3	133.2	95.5	96.3	0.90	7.0	0.6	1.8	6580
Y6302-2	2100	2980	140.9	139.8	95.6	96.4	0.90	7.0	0.6	1.8	8250
Y6303-2	2240	2980	150.2	148.9	95.7	96.5	0.90	7.0	0.6	1.8	8500
Y6304-2	2350	2980	157.5	156.2	95.7	96.5	0.90	7.0	0.6	1.8	8600
Y6305-2	2500	2980	167.6	166.2	95.7	96.5	0.90	7.0	0.6	1.8	8700
Y6306-2	2650	2980	177.6	176.2	95.7	96.5	0.90	7.0	0.6	1.8	8950
Y6307-2	2800	2980	187.7	186.1	95.7	96.5	0.90	7.0	0.6	1.8	9100
Y6308-2	2900	2980	194.4	192.8	95.7	96.5	0.90	7.0	0.6	1.8	9250
Y6309-2	3150	2980	210.9	209.2	95.8	96.6	0.90	7.0	0.6	1.8	9400

SUNVIM

Y4001-4	220	1485	16.3	16.0	91.9	93.4	0.85	7.0	0.8	1.8	2300
Y4002-4	250	1485	18.4	18.2	92.1	93.5	0.85	7.0	0.8	1.8	2360
Y4003-4	280	1485	20.6	20.3	92.2	93.6	0.85	7.0	0.8	1.8	2430
Y4004-4	315	1485	23.2	22.8	92.4	93.9	0.85	7.0	0.8	1.8	2510
Y4005-4	355	1485	25.7	253.8	92.6	9.39	0.86	7.0	0.8	1.8	2630
Y4006-4	400	1485	28.9	28.6	92.8	94.0	0.86	7.0	0.8	1.8	2760
Y4007-4	450	1485	32.4	32.0	93.2	94.4	0.86	7.0	0.8	1.8	2820
Y4502-4	500	1485	36.0	35.5	93.3	94.5	0.86	7.0	0.7	1.8	3330
Y4503-4	560	1485	40.2	39.7	93.6	94.7	0.86	7.0	0.7	1.8	3400
Y4504-4	630	1485	45.1	44.6	93.8	94.9	0.86	7.0	0.7	1.8	3550
Y4505-4	710	1485	49.9	49.4	94.4	95.4	0.87	7.0	0.7	1.8	3700
Y4506-4	800	1485	56.1	55.6	94.6	95.5	0.87	7.0	0.7	1.8	3850
Y5003-4	900	1485	62.4	61.8	94.7	95.6	0.88	7.0	0.7	1.8	4550
Y5004-4	1000	1485	69.2	68.6	94.8	95.7	0.88	7.0	0.7	1.8	4670
Y5005-4	1120	1485	77.4	76.7	94.9	95.8	0.88	7.0	0.7	1.8	4760
Y5006-4	1250	1485	85.4	84.5	95.0	96.0	0.89	7.0	0.7	1.8	4980
Y5007-4	1400	1485	95.3	94.5	95.3	96.1	0.89	7.0	0.7	1.8	5150
Y5604-4	1600	1485	108.8	107.9	95.4	96.2	0.89	7.0	0.7	1.8	6370
Y5605-4	1800	1485	122.3	121.3	95.5	96.3	0.89	7.0	0.7	1.8	6550
Y5606-4	2000	1485	135.6	134.5	95.7	96.5	0.89	7.0	0.7	1.8	6750
Y6302-4	2100	1485	142.4	141.2	95.7	96.5	0.89	7.0	0.6	1.8	8720
Y6303-4	2240	1485	153.4	152.1	95.8	96.6	0.88	7.0	0.6	1.8	8860
Y6304-4	2350	1485	159.1	157.8	95.8	96.6	0.89	7.0	0.6	1.8	8980
Y6305-4	2500	1485	169.3	167.9	95.8	96.6	0.89	7.0	0.6	1.8	9120
Y6306-4	2650	1485	179.4	178.0	95.8	96.6	0.89	7.0	0.6	1.8	9250
Y6307-4	2800	1485	189.6	188.0	95.8	96.6	0.89	7.0	0.6	1.8	9320
Y6308-4	2900	1485	196.4	194.8	95.8	96.6	0.89	7.0	0.6	1.8	9480
Y6309-4	3150	1485	213.1	211.3	95.9	96.7	0.89	7.0	0.6	1.8	9640
Y4004-6	220	980	17.6	17.3	91.4	93.0	0.79	6.0	0.8	1.8	2500
Y4005-6	250	980	19.9	19.6	91.6	93.1	0.79	6.0	0.8	1.8	2620
Y4006-6	280	980	22.3	21.9	91.8	93.3	0.79	6.0	0.8	1.8	2740
Y4007-6	315	980	24.7	24.3	92.0	93.5	0.80	6.0	0.8	1.8	2790
Y4502-6	355	980	26.7	26.4	92.4	93.7	0.83	6.0	0.7	1.8	3230
Y4503-6	400	980	30.0	29.6	92.6	93.9	0.83	6.0	0.7	1.8	3350
Y4504-6	450	980	33.7	33.3	92.8	94.0	0.83	6.0	0.7	1.8	3450

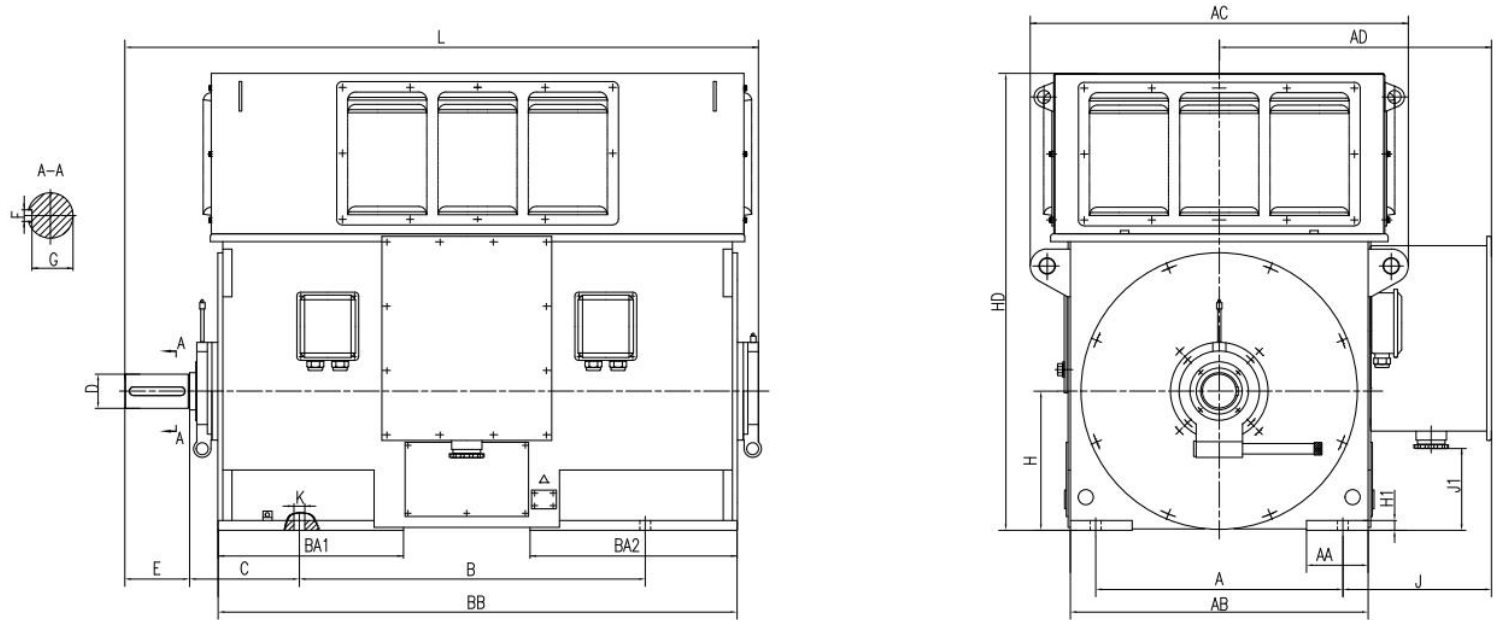
SUNVIM

Y4505-6	500	980	37.3	36.8	93.2	94.5	0.83	6.0	0.7	1.8	3610
Y4506-6	560	980	41.2	40.7	93.5	94.6	0.84	6.0	0.7	1.8	3790
Y5003-6	630	980	46.2	45.6	93.8	94.9	0.84	6.0	0.7	1.8	4480
Y5004-6	710	980	51.9	51.4	94.0	95.0	0.84	6.0	0.7	1.8	4660
Y5005-6	800	980	58.4	57.8	94.2	95.2	0.84	6.0	0.7	1.8	4880
Y5006-6	900	980	64.8	64.1	94.4	95.4	0.85	6.0	0.7	1.8	5020
Y5007-6	1000	980	71.8	71.1	94.6	95.5	0.85	6.0	0.7	1.8	5140
Y5603-6	1120	980	80.2	79.5	94.8	95.7	0.85	6.0	0.7	1.8	6180
Y5604-6	1250	980	88.4	87.5	94.9	95.9	0.86	6.0	0.7	1.8	6380
Y5605-6	1400	980	98.6	97.8	95.3	96.1	0.86	6.0	0.7	1.8	6610
Y5606-6	1600	980	112.6	111.7	95.4	96.2	0.86	6.0	0.7	1.8	6760
Y6304-6	1800	980	126.5	125.6	95.5	96.2	0.86	6.0	0.6	1.8	8520
Y6305-6	2000	980	140.5	139.4	95.6	96.3	0.86	6.0	0.6	1.8	8780
Y6306-6	2100	980	147.5	146.4	95.6	96.3	0.86	6.0	0.6	1.8	9080
Y6307-6	2240	980	157.3	156.2	95.6	96.3	0.86	6.0	0.6	1.8	9330
Y6308-6	2350	980	165.0	163.8	95.6	96.3	0.86	6.0	0.6	1.8	9460
Y6309-6	2500	980	175.6	174.3	95.6	96.3	0.86	6.0	0.6	1.8	9610
Y4502-8	220	740	18.3	18.0	91.1	92.7	0.76	6.0	0.7	1.8	3120
Y4503-8	250	740	20.8	20.4	91.3	92.9	0.76	6.0	0.7	1.8	3230
Y4504-8	280	740	23.2	22.8	91.6	93.1	0.76	6.0	0.7	1.8	3350
Y4505-8	315	740	25.7	25.3	92.0	93.5	0.77	6.0	0.7	1.8	3450
Y4506-8	355	740	28.8	28.4	92.4	93.7	0.77	6.0	0.7	1.8	3610
Y5002-8	400	740	32.0	31.6	92.5	93.8	0.78	6.0	0.7	1.8	4420
Y5003-8	450	740	35.9	35.5	92.7	93.9	0.78	6.0	0.7	1.8	4580
Y5004-8	500	740	39.3	38.7	93.1	94.4	0.79	6.0	0.7	1.8	4650
Y5005-8	560	740	43.9	43.3	93.3	94.5	0.79	6.0	0.7	1.8	4750
Y5006-8	630	740	47.3	46.7	93.8	94.9	0.82	6.0	0.7	1.8	4860
Y5007-8	710	740	53.2	52.6	94.0	95.0	0.82	6.0	0.7	1.8	4980
Y5603-8	800	740	59.8	59.2	94.2	95.2	0.82	6.0	0.7	1.8	6060
Y5604-8	900	740	67.2	66.5	94.3	95.3	0.82	6.0	0.7	1.8	6180
Y5605-8	1000	740	73.6	72.8	94.5	95.5	0.83	6.0	0.7	1.8	6360
Y5606-8	1120	740	82.3	81.5	94.7	95.6	0.83	6.0	0.7	1.8	6610
Y6306-8	1250	740	91.7	90.8	94.8	95.8	0.83	6.0	0.7	1.8	8580
Y6307-8	1400	740	102.6	101.7	94.9	95.8	0.83	6.0	0.7	1.8	8780
Y6308-8	1600	740	117.3	116.2	94.9	95.8	0.83	6.0	0.7	1.8	9090

SUNVIM

Y6309-8	1800	740	131.9	130.7	94.9	95.8	0.83	6.0	0.7	1.8	9380
Y4505-10	220	590	19.4	19.1	91.0	92.6	0.72	5.5	0.7	1.8	3460
Y4506-10	250	590	21.7	21.3	91.2	92.8	0.73	5.5	0.7	1.8	3590
Y5002-10	280	590	23.8	23.5	91.6	93.1	0.74	5.5	0.7	1.8	4320
Y5003-10	315	590	26.8	26.3	91.8	93.4	0.74	5.5	0.7	1.8	4450
Y5004-10	355	590	29.7	29.2	92.1	93.5	0.75	5.5	0.7	1.8	4520
Y5005-10	400	590	33.4	32.9	92.3	93.6	0.75	5.5	0.7	1.8	4630
Y5006-10	450	590	36.5	36.0	92.5	93.8	0.77	5.5	0.7	1.8	4720
Y5007-10	500	590	40.4	39.9	92.7	94.0	0.77	5.5	0.7	1.8	4850
Y5602-10	560	590	44.6	44.1	92.9	94.1	0.78	6.0	0.7	1.8	5880
Y5603-10	630	590	50.1	49.5	93.1	94.3	0.78	6.0	0.7	1.8	6120
Y5604-10	710	590	56.3	55.6	93.3	94.5	0.78	6.0	0.7	1.8	6280
Y5605-10	800	590	61.6	60.8	93.8	94.9	0.80	6.0	0.7	1.8	6490
Y5606-10	900	590	69.1	68.3	94.0	95.1	0.80	6.0	0.7	1.8	6650
Y6305-10	1000	590	76.7	75.9	94.1	95.1	0.80	6.0	0.7	1.8	8780
Y6306-10	1120	590	85.8	84.9	94.2	95.2	0.80	6.0	0.7	1.8	8980
Y6307-10	1250	590	95.7	94.7	94.3	95.3	0.80	6.0	0.7	1.8	9210
Y6308-10	1400	590	107.1	106.0	94.3	95.3	0.80	6.0	0.7	1.8	9320
Y6309-10	1600	590	122.5	121.2	94.3	95.3	0.80	6.0	0.7	1.8	9490
Y5003-12	220	490	19.4	19.1	90.9	92.6	0.72	5.5	0.7	1.8	4380
Y5004-12	250	490	22.0	21.6	91.1	92.7	0.72	5.5	0.7	1.8	4500
Y5005-12	280	490	24.6	24.2	91.3	92.9	0.72	5.5	0.7	1.8	4620
Y5006-12	315	490	27.2	26.8	91.5	93.1	0.73	5.5	0.7	1.8	4720
Y5007-12	355	490	30.6	30.1	91.8	93.2	0.73	5.5	0.7	1.8	4860
Y5602-12	400	490	34.4	33.9	92.0	93.4	0.73	6.0	0.7	1.8	5880
Y5603-12	450	490	38.6	38.1	92.2	93.5	0.73	6.0	0.7	1.8	6030
Y5604-12	500	490	42.8	42.1	92.5	93.9	0.73	6.0	0.7	1.8	6290
Y5605-12	560	490	47.0	46.4	92.9	94.1	0.74	6.0	0.7	1.8	6500
Y5606-12	630	490	52.8	53.8	93.1	94.3	0.74	6.0	0.7	1.8	6700
Y6305-12	710	490	59.4	58.6	93.3	94.5	0.74	6.0	0.7	1.8	8730
Y6306-12	800	490	66.5	65.8	93.8	94.8	0.74	6.0	0.7	1.8	8950
Y6307-12	900	490	74.9	74.1	93.8	94.8	0.74	6.0	0.7	1.8	9180
Y6308-12	1000	490	83.2	82.3	93.8	94.8	0.74	6.0	0.7	1.8	9310
Y6309-12	1120	490	93.2	92.2	93.8	94.8	0.74	6.0	0.7	1.8	9480

SUNVIM

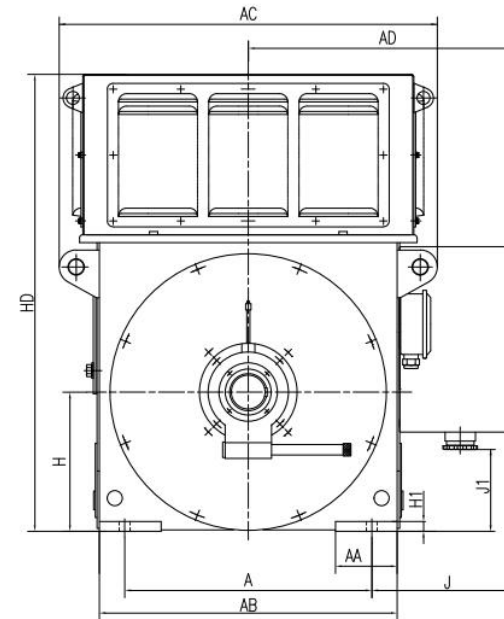
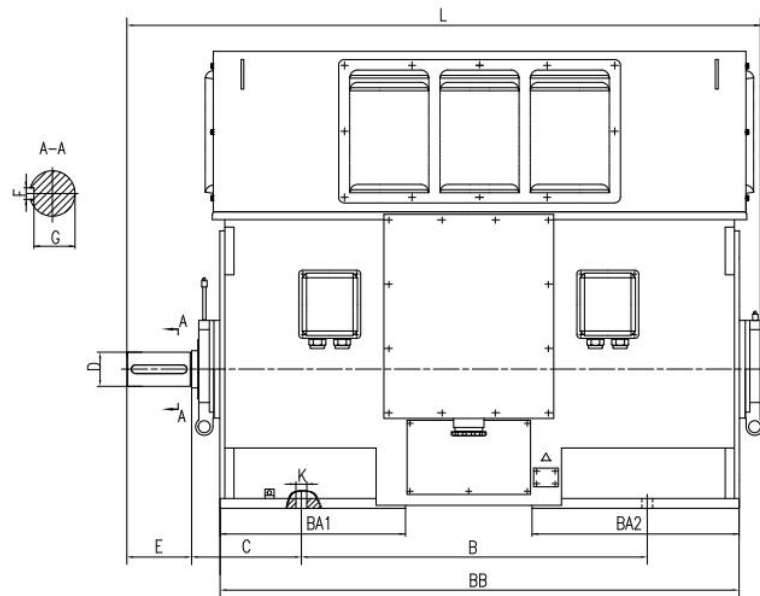


Y、YX 系列(6kV IP23) 高压三相异步电动机安装尺寸表 Mounting and overall dimensions

机座号 Frame	极数 No. of poles	安装尺寸表 Mounting dimensions (mm)									外形尺寸 Overall dimensions (mm)											
		A	B	C	D	E	F	G	H	K	AC	AD	HD	AB	BB	BA1	BA2	AA	J	J1	H1	L
355	2	630	900	315	80	170	22	71	355	28	1100	800	1170	784	1380	490	550	170	224	136	28	1870
	100				210	28	90	784						1380	490	550	170	224	136	28	1890	
400	2	710	100	375	90	170	25	81	400	35	1150	850	1330	884	1540	570	640	200	234	168	28	2090
	0		335	110	28	100	1980															
450	2	800	1120	400	100	210	28	90	450	35	1300	900	1475	964	1680	490	560	200	229	260	32	2340
	4			120	109			964						1680		600	670		229	260		2180
	6,8,10,12			355	130	250	32	119						964	1680	600	670	229	260	32	2180	

SUNVIM

500	2	900	125 0	560	110	250	28	100	500	42	1420	965	1665	1094	1830	660	730	200	244	358	32	2790	
	4			475	130		32	119						1094		620	690		244			2550	
	6,8,10,12			140	36		128																
560	2	100 0	140 0	560	130	300	32	119	560	48	1600	1100	1850	1176	1940	680	750	200	300	345	40	3020	
	4			500	150		36	138								680	750		300			2900	
	6,8,10,12			160	40		147																
630	2	112 0	160 0	560	140	300	36	128	630	48	1800	1200	2050	1336	2050	725	815	200	320	510	46	3220	
	4			530	170		40	157						1336	2050	710	780		320			510	3100
	6,8,10,12			180	45		165																



SUNVIM